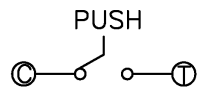


		0° (▨=NO)			
TER	ANG.	(20°)	(15°)	(15°)	(20°)
①		▨			
②					▨
③		▨	▨	▨	▨

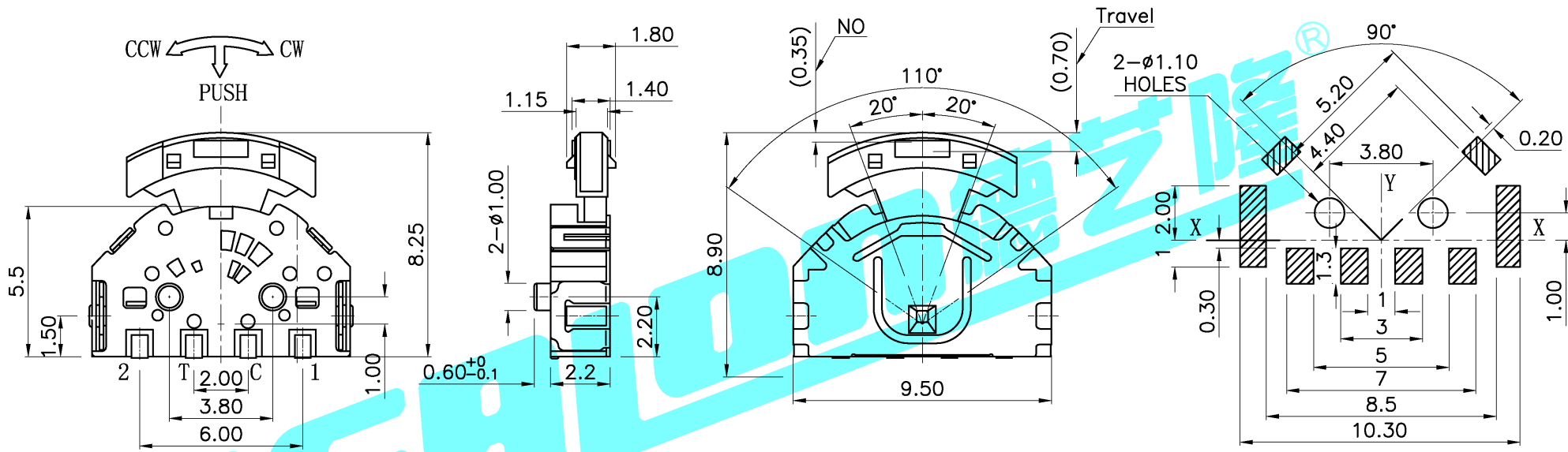
CCW ← → CW

CODE TABLE

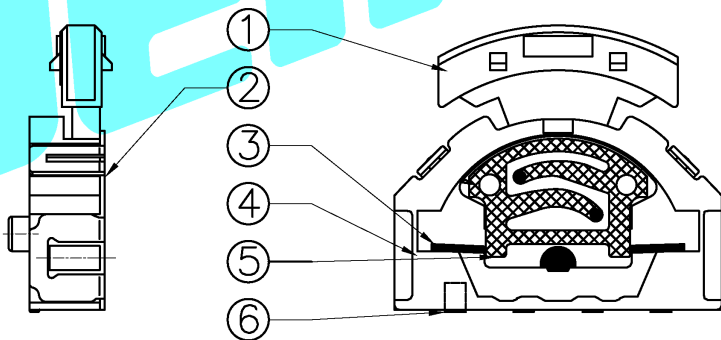


Circuit Diagram

NOTE:  
 Operating Force:  
 lever portion  $70 \pm 40$  gf  
 Push portion  $250 \pm 40$  gf  
 Travel:  $-25^\circ$   $0^\circ$   $+25^\circ$  Pushportion  $0.7 \pm 0.1$ mm



P.C.B Mounting Pattern Dimension



ITEM	PART NAME	QTY.	MATERIAL	FINISHING
⑥	Contact	1	F.Ag/Brass	Plating silver
⑤	Terminal	4	Brass(0.15t)	Plating silver
④	Base	1	Nylon	Black
③	Spring	1	SUS	Natural
②	Cover	1	SUS	Natural
①	Keystoke	1	Nylon	Black

APPROVALS		DATE	DERON 德之隆® ELECTRONICS CO.,LTD	
DRAWN	G.M.Chen	2015/3/30	TITLE:	MULTIFUNCTIONAL SWITCHES
CHECKED			PART NO.	BLQ-1561-02
APPROVALS			UNIT: mm	SCALE: 1:1
TOLERANCES ARE		ANGLE	DRAWING NO.	SHEET 1 OF 1
30~以上	±0.30	±2°		PROJ:
10~30	±0.20			
5~10	±0.15			
~ 5	±0.10			

ECN NO.	REV.	DATE.	DESCRIPTION.	CHANGE.	CHECK.	APPRO.
	A		NEW			