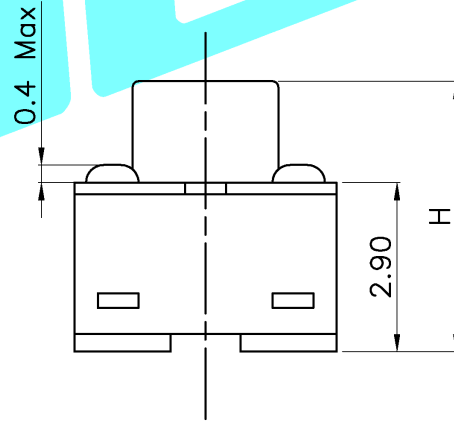
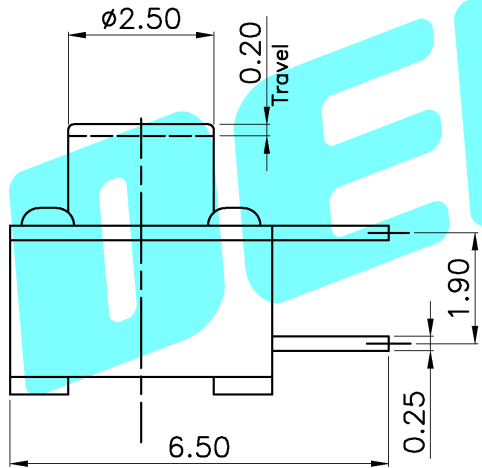


PCB Layout (Pattern Side)



NO.1	
PART NO	H
A	3.8
B	4.3
C	4.8
D	5
E	5.5
F	6
G	6.5
H	7
I	7.5
J	8
K	8.5
L	9

NO.2	
PART NO	vigor
1	70±30
2	100±50
3	160±50
4	260±50
5	320±80
6	350±80
7	520±130

NO.3	
PART NO	MATERIAL/QTY
S	SUS/1PC
C	C5210/1PC
D	SUS/2PCS
F	C5210/2PCS

NO.5	
PART NO	NOTE
B	Bulk
R	Tape&Reel

NO.4	
PART NO	NOTE
1~9	SERIAL NUMBER

⑤	Terminal	2	Brass(0.30t)	Plating silver
④	Contact	1	F.Ag/SUS	——
③	Base	1	PA46	Black
②	Cover	1	SUS	——
①	Keystoke	1	PA46	Black
ITEM	PART NAME	QTY.	MATERIAL	FINISHING

APPROVALS		DATE	DERION® ELECTRONICS CO.,LTD	
DRAWN	G.M Chen	2013/2/1	TITLE:	TACT SWITCHES
CHECKED			PART NO.	TD-1150DL-XXN-XXX
APPROVALS			UNIT: mm	SCALE: 1:1
TOLERANCES ARE		30~以上 ±0.30	ANGLE	PROJ.
		10~30 ±0.20	±2'	DRAWING NO.
		5~10 ±0.15		
		~ 5 ±0.10		SHEET 1 OF 1

ECN NO.	REV	DATE.	DESCRIPTION.	CHANGE.	CHECK.	APPRO.
	A		NEW			