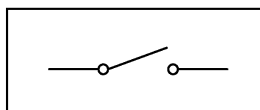
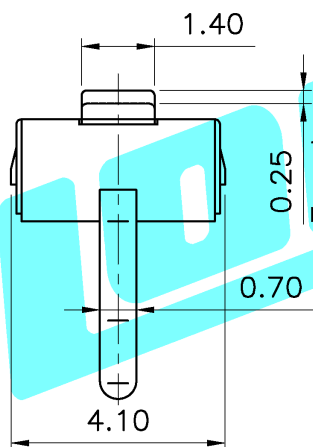
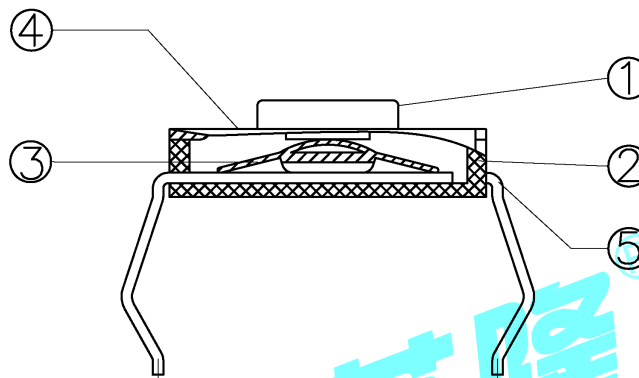


PCB Layout(Pattern Side)



Circuit Diagram



NO.2	
Contact	MATERIAL/QTY.
S	SUS/1PC
D	SUS/2PCS

NO.3	
PART NO	NOTE
1~9	SERIAL NUMBER

NO.4	
PART NO	NOTE
B	Bulk
R	Tape&Reel

NO.1	
PART NO	vigor
1	70±30
2	100±50
3	160±50
4	260±50
5	320±80
6	350±80
7	520±130

⑤	TERMINAL	2	Brass(0.20t)	Ag-PLATED
④	Cover	1	Sheet Iron	Plating Nickel
③	Contact	1	Stainless Steel	Ag-PLATED
②	Base	1	NYLON	Black
①	Keystoke	1	NYLON	White
ITEM	PART NAME	QTY.	MATERIAL	FINISHING

APPROVALS		DATE	DERION 德艺隆® ELECTRONICS CO.,LTD	
DRAWN	G.M Chen	2012/6/18	TITLE:	TACT SWITCHES
CHECKED			PART NO.	TC-1126DP-AXN-XXX
APPROVALS			UNIT: mm	SCALE: 1:1
TOLERANCES ARE		30~以上 ±0.30	ANGLE	PROJ.
		10~30 ±0.20		
		5~10 ±0.15		
		~ 5 ±0.10	±2'	DRAWING NO.
				SHEET 1 OF 1

ECN NO.	REV.	DATE.	DESCRIPTION.	CHANGE.	CHECK.	APPRO.
	A		NEW			