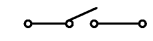
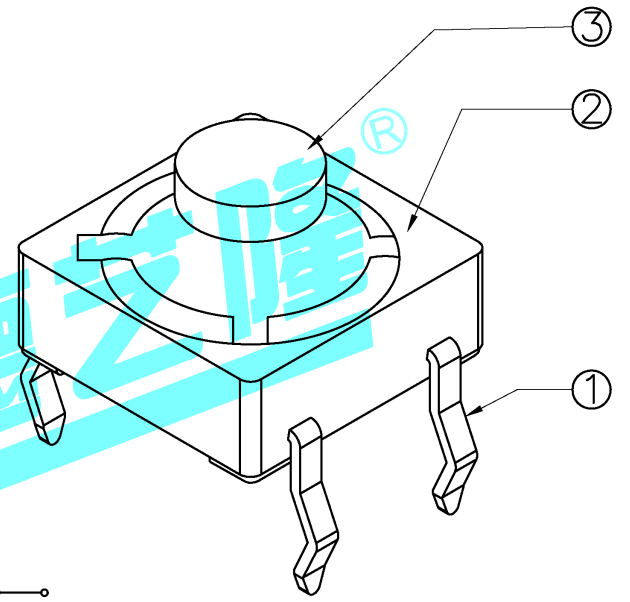
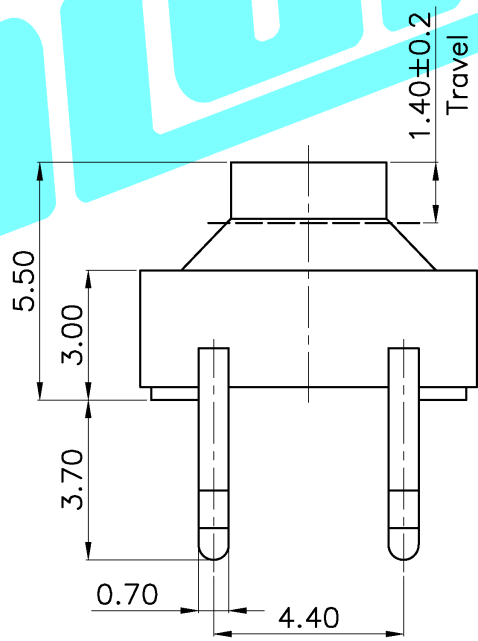
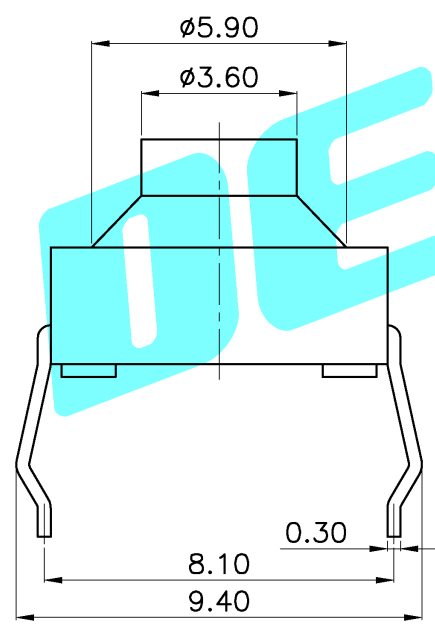


PCB Layout(Pattern Side)



Circuit Diagram

NO.1	
PART NO	vigor
1	100±30
2	130±30
3	160±30
4	250±30

NO.2	
PART NO	MATERIAL/QTY
S	SUS/1PC
D	SUS/2PCS

NO.3	
PART NO	NOTE
1~9	SERIAL NUMBER

NO.4	
PART NO	NOTE
B	Bulk
R	Tape&Reel

ITEM	PART NAME	QTY.	MATERIAL	FINISHING
③	Knob	1	Silica gel	Gray
②	Base	1	Nylon	Black
①	Terminal	4	Phosphor Bronze	Plating silver

APPROVALS		DATE
DRAWN	G.M Chen	2011/1/24
CHECKED		
APPROVALS		

<b>DERION 德之盾</b> ELECTRONICS CO.,LTD	
TITLE:	TACT SWITCHES
PART NO.	TC-1178DK-AXN-XXX

TOLERANCES ARE	30~以上 ±0.30	10~30 ±0.20	5~10 ±0.15	~ 5 ±0.10	ANGLE	±2'	UNIT: mm	SCALE: 1:1	PROJ:
ECN NO.	REV.	DATE.	DESCRIPTION.	CHANGE.	CHECK.	APPRO.	DRAWING NO.		SHEET 1 OF 1

ECN NO.	REV.	DATE.	DESCRIPTION.	CHANGE.	CHECK.	APPRO.
---------	------	-------	--------------	---------	--------	--------