

Circuit Diagram

PCB Layout (Pattern side)

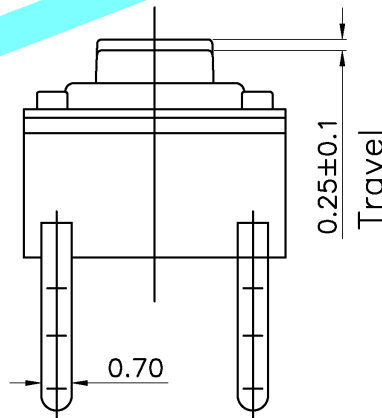
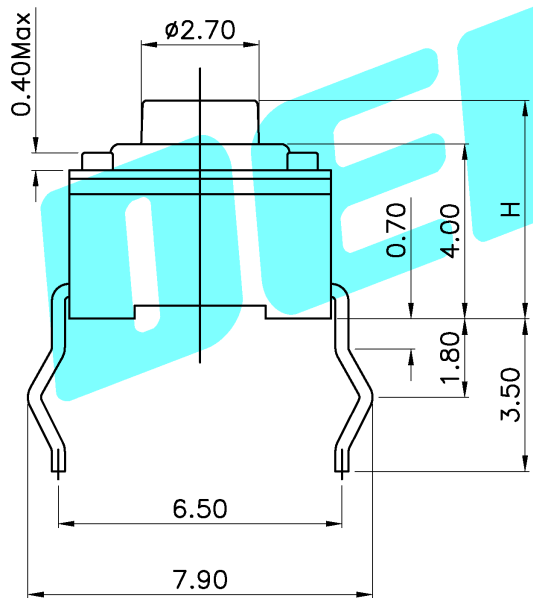
NO.1	
PART NO	H
A	4.3
C	5
G	7

NO.3	
PART NO	MATERIAL/QTY
S	SUS/1PC
C	C5210/1PC
D	SUS/2PCS
F	C5210/2PCS

NO.2	
PART NO	vigor
1	70±30
2	100±50
3	160±50
4	260±50
5	320±80
6	350±80
7	520±130

NO.4	
PART NO	NOTE
1~9	SERIAL NUMBER

NO.5	
PART NO	NOTE
B	Bulk
R	Tape&Reel



⑥	Cover	1	Brass	Tin Plated
⑤	Keystoke	1	Nylon	Black
④	Waterproof Silicone	1	Silica gel	Yellow
③	Contact	1	F.Ag/SUS	Plating silver
②	Base	1	Nylon	Black
①	Terminal	4	Copper(0.3t)	Plating silver
ITEM	PART NAME	QTY.	MATERIAL	FINISHING

APPROVALS		DATE	DERION® ELECTRONICS CO.,LTD	
DRAWN	G.M.Chen	2015/6/10	TITLE:	TACT SWITCHES
CHECKED			PART NO.	TC-1811DR-XXN-XXX
APPROVALS			UNIT: mm	SCALE: 1:1
TOLERANCES ARE	30~以上 ±0.30	ANGLE	DRAWING NO.	SHEET 1 OF 1
	10~30 ±0.20	±2°		
	5~10 ±0.15			
	~ 5 ±0.10			

ECN NO.	REV.	DATE.	DESCRIPTION.	CHANGE.	CHECK.	APPRO.
	A		NEW			