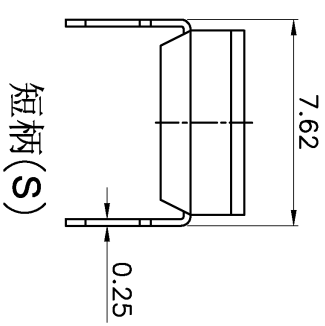
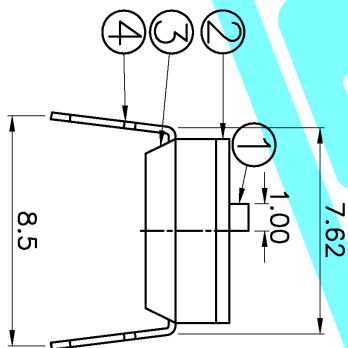
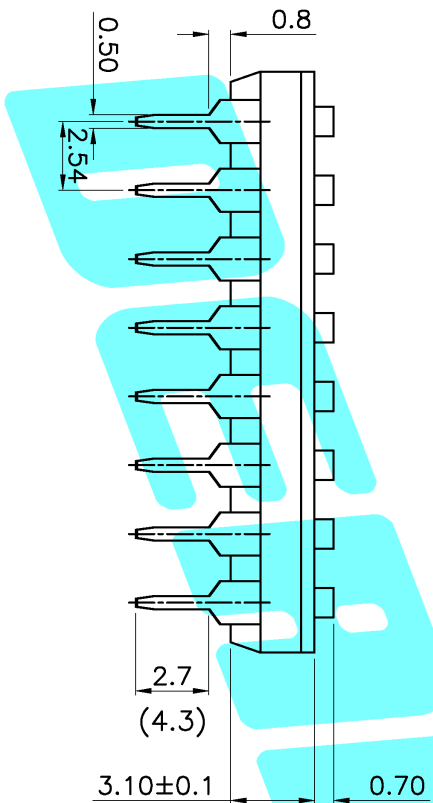
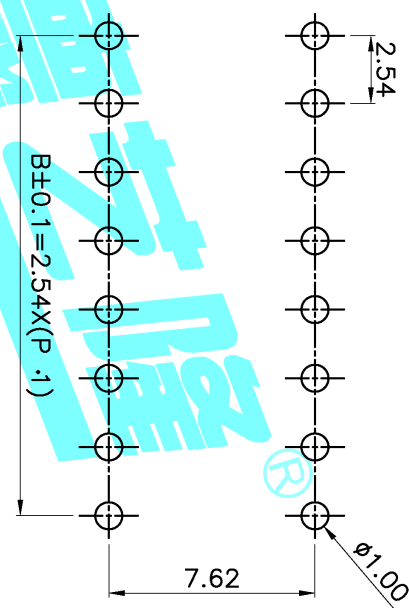
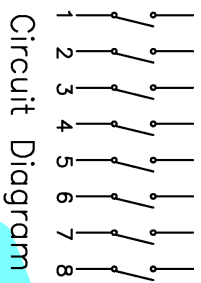
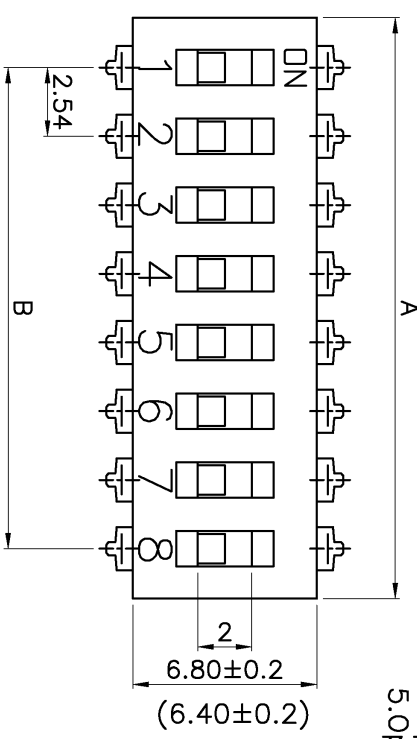


NOTE:
 1. Rating: 24V 25mA DC
 2. Contact Resistance: 50mΩ max
 3. Dielectric Strength: 500V AC/1Minute
 4. Operating Force: 1000gf Max
 5. Operating Life: 2,000 Cycles



Position(位数)	2P	3P	4P	5P	6P	7P	8P	9P	10P	12P
DIM.A(长度)	6.54	9.08	11.62	14.16	16.70	19.24	21.78	24.32	26.86	31.94
DIM.B(长度)	2.54	5.08	7.62	10.16	12.70	15.24	17.78	20.32	22.86	27.94

PART NO. 凸柄(P) SM-02KP SM-03KP SM-04KP SM-05KP SM-06KP SM-07KP SM-08KP SM-09KP SM-10KP SM-12KP
 短柄(S) SM-02KS SM-03KS SM-04KS SM-05KS SM-06KS SM-07KS SM-08KS SM-09KS SM-10KS SM-12KS

ITEM	PART NAME	QTY.	MATERIAL	FINISHING
④	Terminal	1	Phosphor bronze	Au Plating
③	Base	1	PBT	Black
②	Cover	1	PBT	Black
①	Keystoke	1	PBT	White

APPROVALS
 DRAWN: G.M.Chen
 DATE: 2015/6/26
 CHECKED: _____
 TITLE: DIP SWITCHES
 APPROVALS: _____
 PART NO.: SM-XXXX
 TOLERANCES ARE: 30~以上: ±0.30, 10~30: ±0.20, 5~10: ±0.15, ~5: ±0.10
 ANGLE: ±2°
 UNIT: mm
 SCALE: 1:1
 SHEET: 1 OF 1
 DRAWING NO.: _____
 PROJ.: _____

ECN NO.	REV.	DATE.	DESCRIPTION.	CHANGE.	CHECK.	APPRO.
	A		NEW			