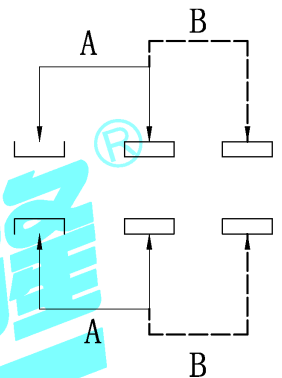
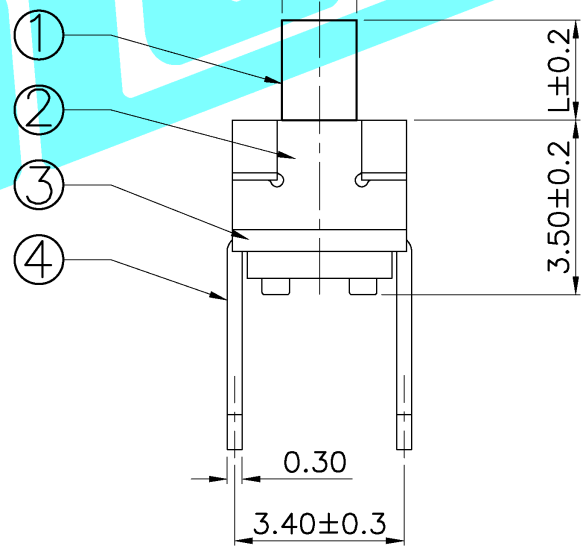
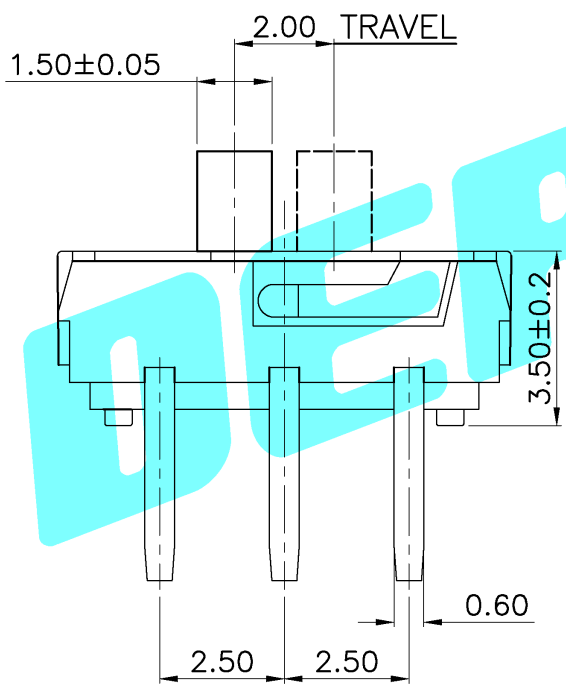


PCB Layout(Pattern side)



Circuit Diagram



PART NO.	L	Operating force
MS-22D16-G2	2	200±100gf
MS-22D16-G3	3	
MS-22D16-G4	4	

ITEM	PART NAME	QTY.	MATERIAL	FINISHING
⑤	Contact Spring	2	Beryllium copper	Ag Plated
④	Terminal	6	Brass Strip	Ag Plated
③	Base	1	NYLON	Black
②	Cover	1	SUS	Natural
①	KNOB	1	NYLON	White

APPROVALS		DATE		
DRAWN	G.M.Chen	2014/8/18		
CHECKED			TITLE:	SLIDE SWITCHES
APPROVALS			PART NO.	MS-22D16-G
TOLERANCES ARE	30~以上	±0.30	ANGLE	UNIT: mm SCALE: 1:1 SHEET 1 OF 1
	10~30	±0.20	±2°	
	5~10	±0.15		
	~ 5	±0.10	DRAWING NO.	PROJ:

ECN NO.	REV.	DATE.	DESCRIPTION.	CHANGE.	CHECK.	APPRO.
	A		NEW			