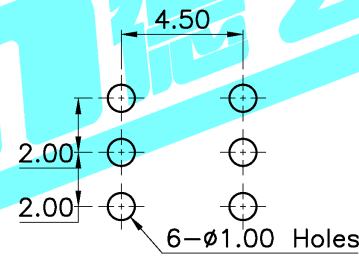
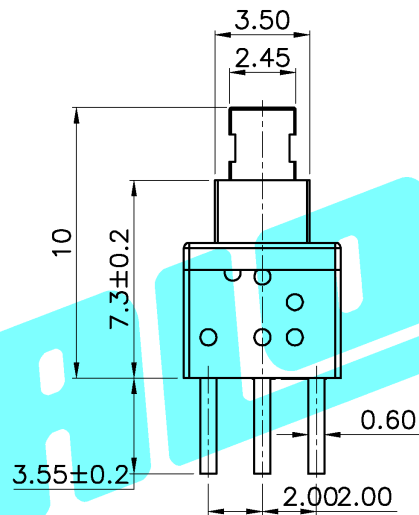
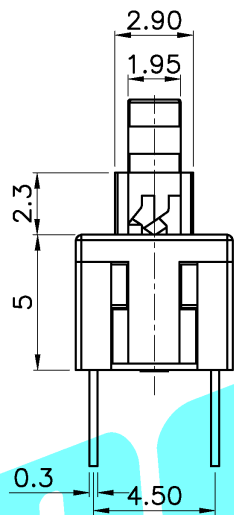
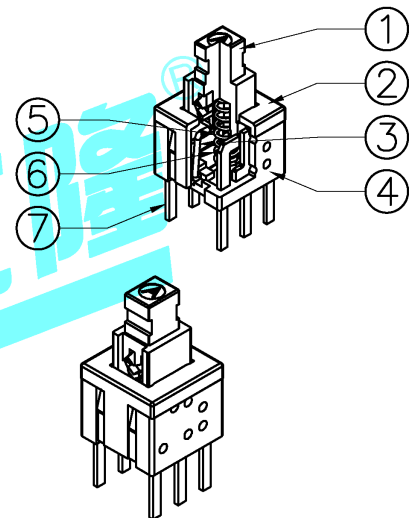


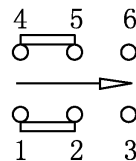
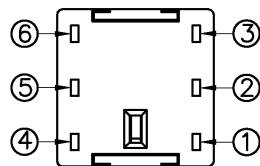
NOTE:  
 1. Operating Force: 180gf±50gf  
 2. Travel : 2.0±0.2mm



PCB Layout(Pattern Side)



NO.	Operating Type	Part No.
1	Push To Lock	PB-22E60-L
2	Push No Lock	PB-22E60-N
3	Push No Sound No Lock	PB-22E60-S



Circuit Diagram

ITEM	PART NAME	QTY.	MATERIAL	FINISHING
⑦	Terminal	6	Brass strip	Plating silver
⑥	Contact	2	Phosphor bronze	Plating silver
⑤	Spring	1	SUS	Natural
④	Base	1	Nylon	Gray
③	Crochet Needle	1	SUS	Natural
②	Cover	1	POM	Black
①	KNOB	1	POM	White

APPROVALS		DATE	DERON 德艺隆® ELECTRONICS CO.,LTD	
DRAWN	G.M.Chen	2015/4/16	TITLE:	PUSH SWITCH
CHECKED			PART NO.	PB-22E60-X
APPROVALS			UNIT: mm	SCALE: 1:1
TOLERANCES ARE		ANGLE	DRAWING NO.	SHEET 1 OF 1
30~以上	±0.30	±2°		PROJ:
10~30	±0.20			
5~10	±0.15			
~ 5	±0.10			

ECN NO.	REV.	DATE.	DESCRIPTION.	CHANGE.	CHECK.	APPRO.
	A		NEW			