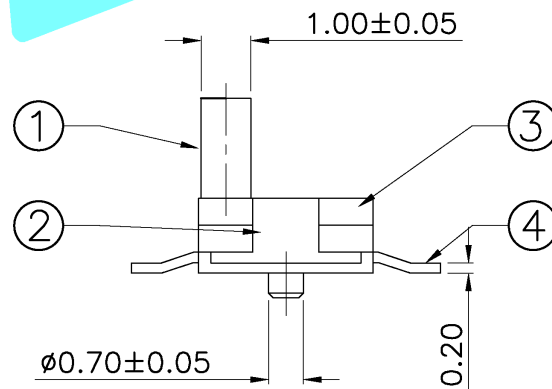
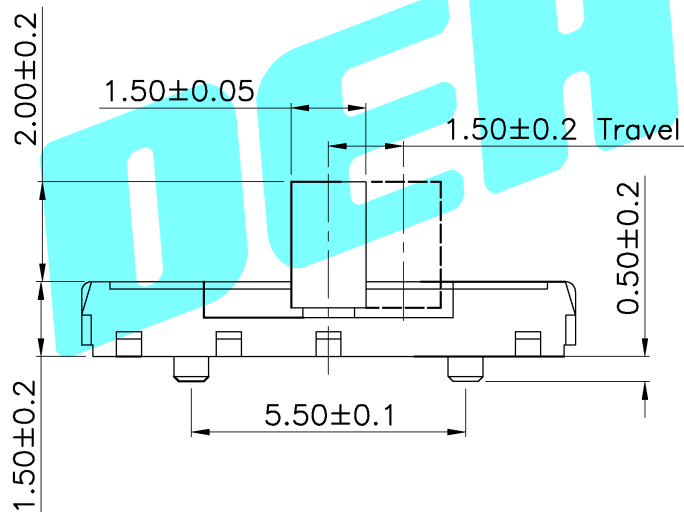


Circuit Diagram

PCB Layout(Pattern side)



PART NO.	L	Operating force
MS-23C01-G1	1	200±50gf
MS-23C01-G1.5	1.5	
MS-23C01-G2	2	

ITEM	PART NAME	QTY.	MATERIAL	FINISHING
⑤	Contact Spring	2	Beryllium copper	Ag Plated
④	Terminal	8	Brass Strip	Ag Plated
③	Base	1	NYLON	Black
②	Cover	1	SUS	Natural
①	KNOB	1	NYLON	White

APPROVALS: _____ DATE: 2014/12/19

DRAWN: G.M.Chen

CHECKED: _____

APPROVALS: _____

TOLERANCES ARE: 30~以上 ±0.30, 10~30 ±0.20, 5~10 ±0.15, ~ 5 ±0.10

ANGLE: ±2°

UNIT: mm

SCALE: 1:1

SHEET 1 OF 1

DRAWING NO. _____

PROJ: _____

DERION 德之隆
ELECTRONICS CO.,LTD

TITLE: TOGGLE SWITCHES
PART NO. MS-23C01-G

ECN NO.	REV.	DATE.	DESCRIPTION.	CHANGE.	CHECK.	APPRO.
	A		NEW			