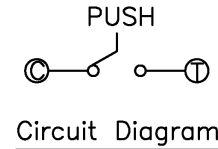


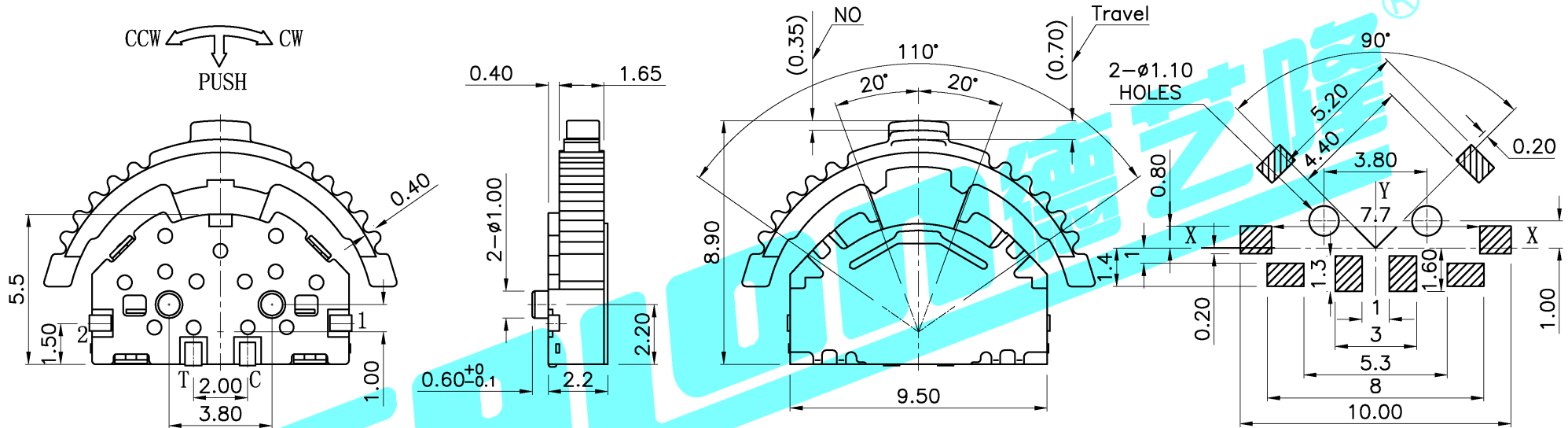
		0° (///=NO)	
TER	ANG.	(20°) (15°)	(15°) (20°)
①		///	
②			///
③		///	///

CCW ← → CW

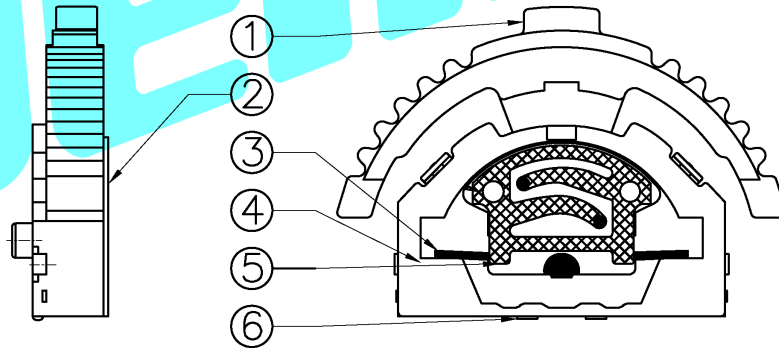


NOTE:  
 Operating Force:  
 lever portion 100 ± 30 gf  
 Push portion 205 ± 50 gf

CODE TABLE



P.C.B Mounting  
 Pattern Dimension



⑥	Contact	1	F.Ag/Brass	—
⑤	Terminal	4	Brass(0.15t)	Plating silver
④	Base	1	Nylon	Black
③	Spring	1	SUS	—
②	Cover	1	SUS	White
①	Keystoke	1	Nylon	Black
ITEM	PART NAME	QTY.	MATERIAL	FINISHING

APPROVALS		DATE	DERION 德之隆® ELECTRONICS CO.,LTD	
DRAWN	G.M.Chen	2015/3/30	TITLE:	MULTIFUNCTIONAL SWITCHES
CHECKED			PART NO.	BLQ-1571-01
APPROVALS			UNIT: mm	SCALE: 1:1
TOLERANCES ARE	30~以上	±0.30	ANGLE	SHEET 1 OF 1
	10~30	±0.20		
	5~10	±0.15	DRAWING NO.	
	~ 5	±0.10		PROJ: Ⓢ

ECN NO.	REV.	DATE.	NEW	CHANGE.	CHECK.	APPRO.
			DESCRIPTION.			