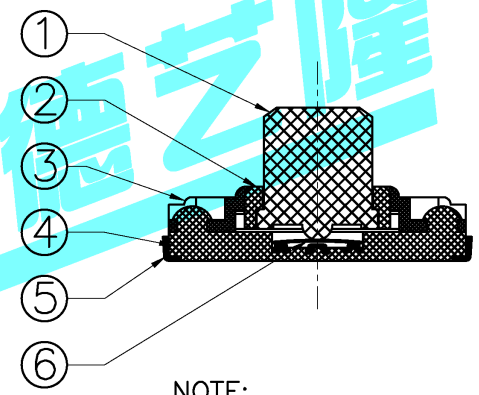
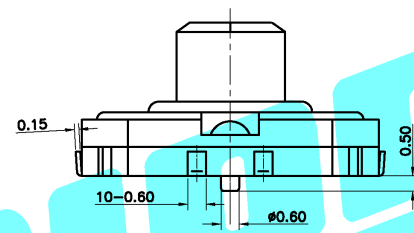
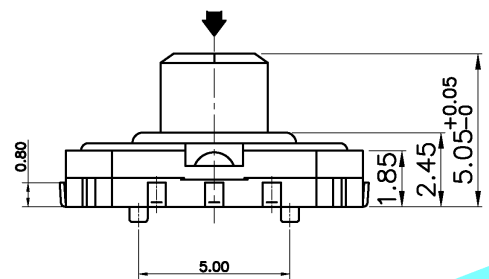
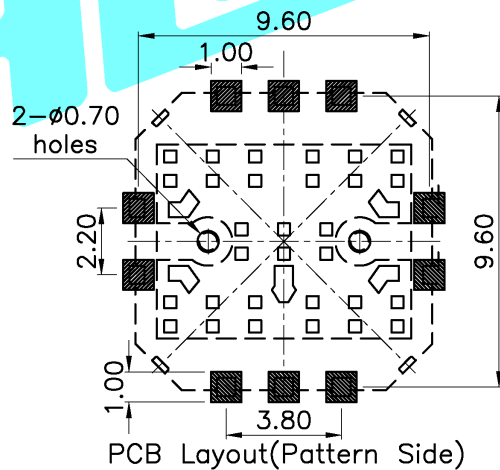
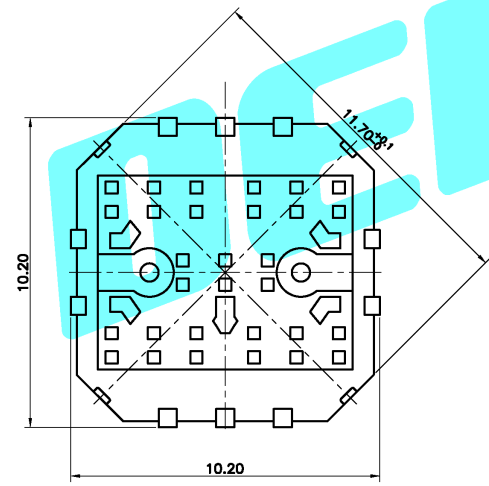


Circuit Diagram



NOTE:
Operating Force:
4-direction 160 ± 35 gf
center push 250 ± 35 gf



PCB Layout(Pattern Side)

ITEM	PART NAME	QTY.	MATERIAL	FINISHING
⑦	Dust cover	1	Kapton film	Yellow
⑥	Contact	5	F.Ag/SUS	—
⑤	Terminal	10	Brass(0.15t)	Plating silver
④	Base	1	LCP	Black
③	Cover	1	LCP	Black
②	Axle sleeve	1	LCP	Black
①	Keystoke	1	PA46	Black

APPROVALS		DATE
DRAWN	G.M.Chen	2015/3/30
CHECKED		
APPROVALS		

DERION 德之隆
ELECTRONICS CO.,LTD

TITLE: MULTIFUNCTIONAL SWITCHES
PART NO. BLQ-1518-01

TOLERANCES ARE	30~以上	±0.30	ANGLE
	10~30	±0.20	
	5~10	±0.15	
	~ 5	±0.10	±2°

UNIT: mm
SCALE: 1:1
SHEET 1 OF 1
DRAWING NO. PROJ:

ECN NO.	REV.	DATE.	DESCRIPTION.	CHANGE.	CHECK.	APPRO.
	A		NEW			