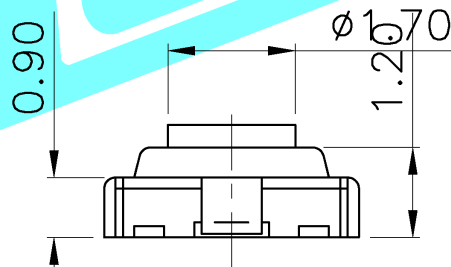
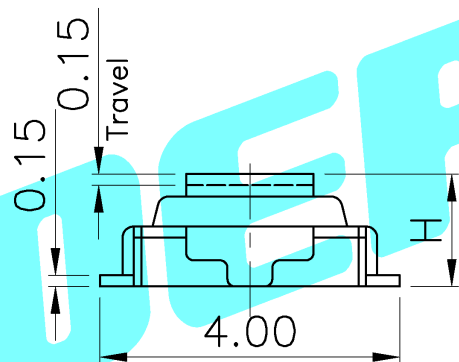


PCB Layout(Pattern side)



NO.1	
PART NO	H
A	1.5
D	2.0

NO.3	
PART NO	MATERIAL/QTY
S	SUS/1PC
D	SUS/2PCS

NO.2	
PART NO	vigor
1	70±30
2	100±50
3	160±50
4	260±50
5	320±80
6	350±80
7	520±130

NO.4	
PART NO	NOTE
1~9	SERIAL NUMBER

NO.5	
PART NO	NOTE
B	Bulk
R	Tape&Reel

ITEM	PART NAME	QTY.	MATERIAL	FINISHING
⑥	Dust Cover	1	Kapton Film	Yellow
⑤	Terminal	4	Phosphor Bronze	Plating silver
④	Contact	1	F.Ag/SUS	Natural
③	Base	1	Nylon	Black
②	Cover	1	SPCC	Natural
①	Keystoke	1	Nylon	White



Circuit Diagram

APPROVALS		DATE	DERION® ELECTRONICS CO.,LTD	
DRAWN	G.M.Chen	2015/6/17	TITLE:	TACT SWITCHES
CHECKED			PART NO.	TD-1153SG-XXN-XXX
APPROVALS			UNIT: mm	SCALE: 1:1
TOLERANCES ARE	30~以上 ±0.30	ANGLE	DRAWING NO.	PROJ:
	10~30 ±0.20			
	5~10 ±0.15	±2°		
	~ 5 ±0.10			

ECN NO.	REV.	DATE.	DESCRIPTION.	CHANGE.	CHECK.	APPRO.
	A		NEW			

