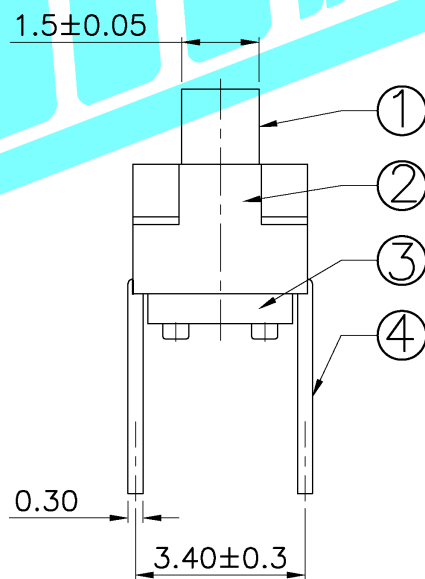
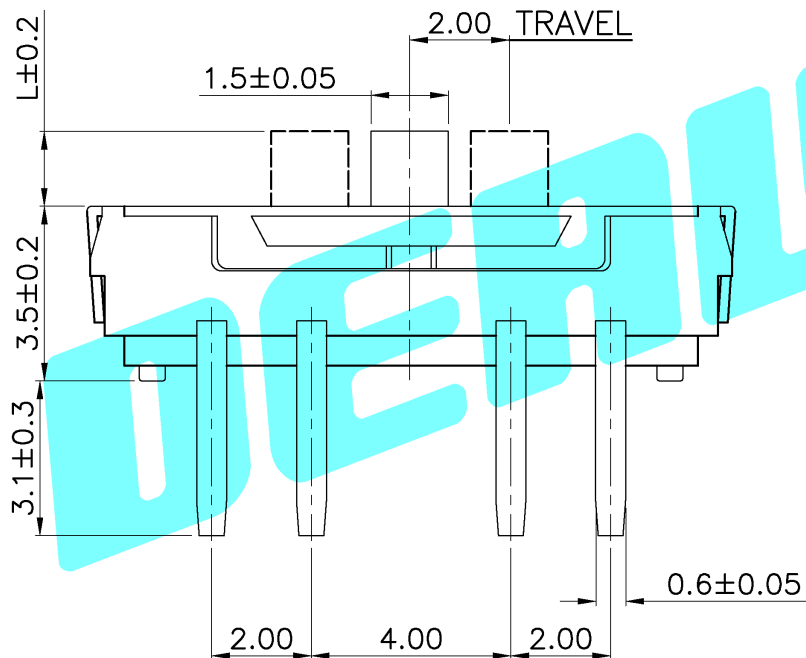


PCB Layout(Pattern side)

Circuit Diagram



PART NO.	L	Operating force
MS-23D18-G2	2	250±100gf
MS-23D18-G3	3	
MS-23D18-G4	4	

⑤	Contact Spring	2	Beryllium copper	Ag Plated
④	Terminal	8	Brass Strip	Ag Plated
③	Base	1	NYLON	Black
②	Cover	1	SUS	Natural
①	KNOB	1	NYLON	White
ITEM	PART NAME	QTY.	MATERIAL	FINISHING

APPROVALS		DATE	DERION 德艺隆 ELECTRONICS CO.,LTD	
DRAWN	G.M.Chen	2014/8/18	TITLE:	SLIDE SWITCHES
CHECKED			PART NO.	MS-23D18-G
APPROVALS			UNIT: mm	SCALE: 1:1
TOLERANCES ARE		ANGLE	DRAWING NO.	SHEET 1 OF 1
30~以上	±0.30	±2°		PROJ:
10~30	±0.20			
5~10	±0.15			
~ 5	±0.10			

ECN NO.	REV.	DATE.	DESCRIPTION.	CHANGE.	CHECK.	APPRO.
	A		NEW			