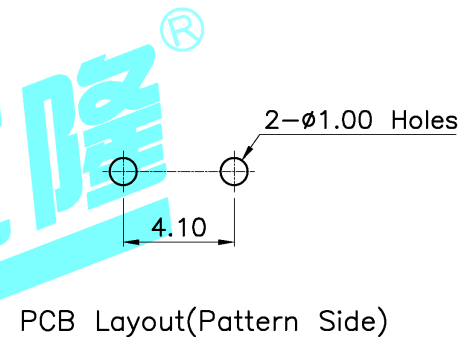
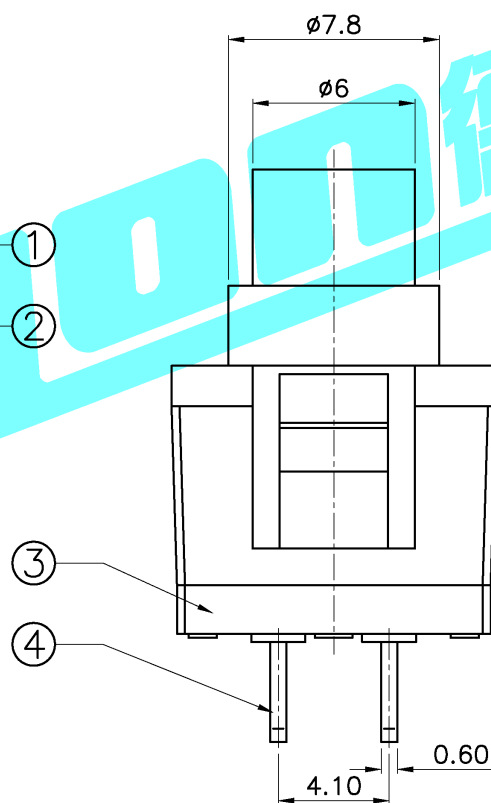
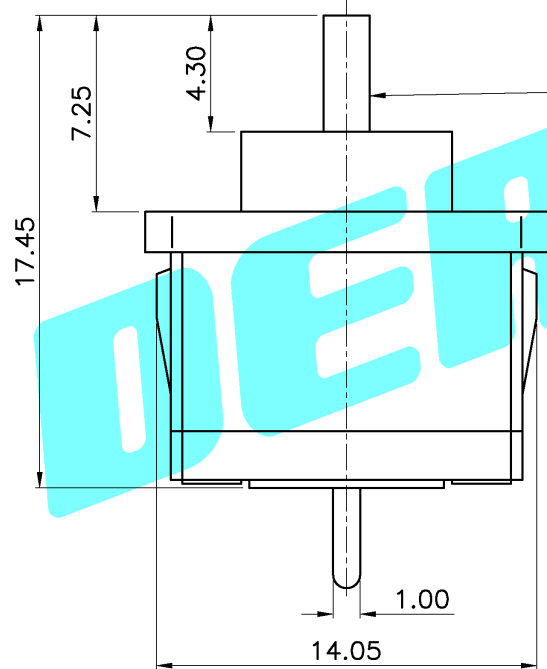


Circuit Diagram



NOTE:
1. Operating Force: 350gf±80gf

ITEM	PART NAME	QTY.	MATERIAL	FINISHING
⑤	Contact	1	SUS	Plating silver
④	Terminal	2	Brass strip	Plating silver
③	Base	1	Nylon	White
②	Cover	1	Nylon	Black
①	KNOB	1	POM	Black

APPROVALS		DATE	DERNON 德艺隆® ELECTRONICS CO.,LTD	
DRAWN	G.M.Chen	2015/4/16	TITLE:	PUSH SWITCH
CHECKED			PART NO.	PB-11E01
APPROVALS			UNIT: mm	SCALE: 1:1
TOLERANCES ARE	30~以上	±0.30	ANGLE	SHEET 1 OF 1
	10~30	±0.20		
	5~10	±0.15	±2°	DRAWING NO.
	~ 5	±0.10		PROJ: ☐

ECN NO.	REV.	DATE.	DESCRIPTION.	CHANGE.	CHECK.	APPRO.
	A		NEW			