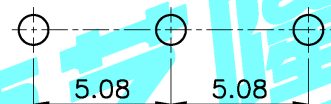
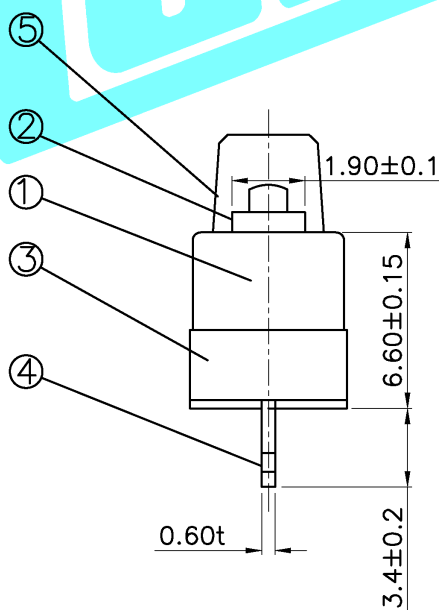
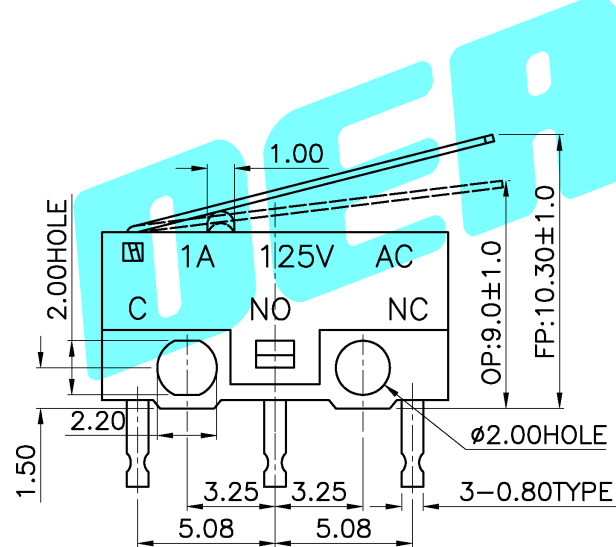


Circuit Diagram



P.C.B layout



NOTE:

1. Rating: DC48V 0.1A/AC125V 0.1A
2. OP: 6.95±0.20
3. Operating force: 30±15gf
4. Mechanical Life: 1,000,000

ITEM	PART NAME	QTY.	MATERIAL	FINISHING
⑦	Shrapnel	1	Beryllium Copper	Natural
⑥	Contact	1	AgNi10	Natural
⑤	Lever	1	Stainless Steel	Natural
④	Terminal	3	Brass(0.60t)	Plating silver
③	Case	1	PBT	White
②	Knob	1	PBT	Red
①	Cover	1	PBT	Black

APPROVALS		DATE	DERLON® ELECTRONICS CO.,LTD	
DRAWN	G.M.Chen	2015/5/15	TITLE:	MICRO SWITCHS
CHECKED			PART NO.	DM-002-01
APPROVALS			UNIT: mm	SCALE: 1:1
TOLERANCES ARE		ANGLE	DRAWING NO.	SHEET 1 OF 1
30~以上	±0.30	±2°		PROJ:
10~30	±0.20			
5~10	±0.15			
~ 5	±0.10			

ECN NO.	REV.	DATE.	DESCRIPTION.	CHANGE.	CHECK.	APPRO.
	A		NEW			