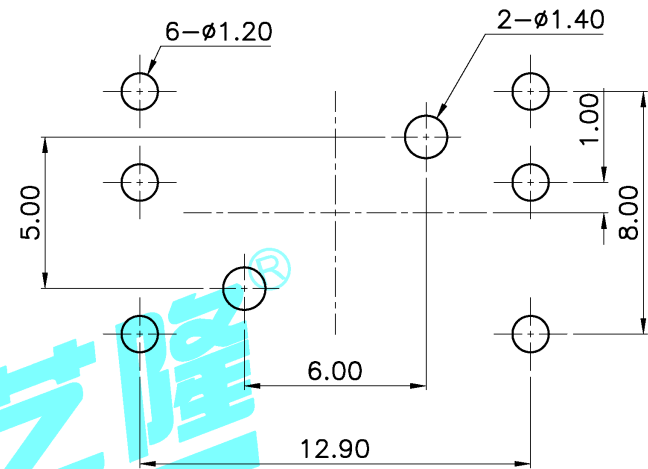
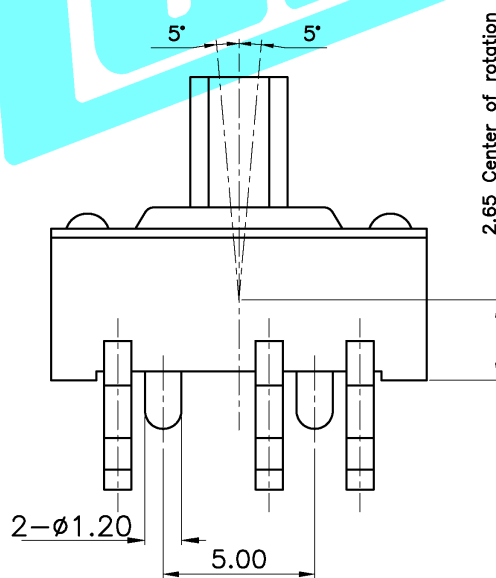
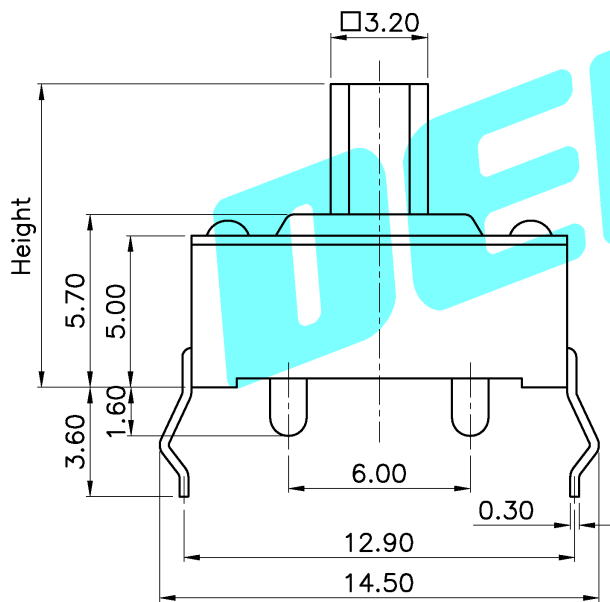


Circuit Diagram (TOP VIEW)



PCB Layout(Pattern Side)



NOTE:
 Operating Force:
 4-direction 160 ± 35 gf
 center push 250 ± 35 gf
 Travel:4-direction 5°±2°
 center push 0.25±0.1mm

PART NO	Height
BLQ-1519-01	7
BLQ-1519-02	8
BLQ-1519-03	9
BLQ-1519-04	10
BLQ-1519-05	11

ITEM	PART NAME	QTY.	MATERIAL	FINISHING
⑥	Contact	6	F.Ag/SUS	Natural
⑤	Terminal	10	Brass(0.20t)	Plating silver
④	Base	1	LCP	Black
③	Cover	1	SUS	Natural
②	Axle sleeve	1	LCP	Black
①	Keystoke	1	LCP	Black

APPROVALS		DATE
DRAWN	G.M.Chen	2015/3/30
CHECKED		
APPROVALS		

DERLON 德艺隆
 ELECTRONICS CO.,LTD

TITLE: MULTIFUNCTIONAL SWITCHES

PART NO. BLQ-1519-XX

TOLERANCES ARE	30~BLF	±0.30	ANGLE
	10~30	±0.20	
	5~10	±0.15	
	~ 5	±0.10	

UNIT: mm	SCALE: 1:1	SHEET 1 OF 1
DRAWING NO.		PROJ:

ECN NO.	REV.	DATE.	DESCRIPTION.	CHANGE.	CHECK.	APPRO.
	A		NEW			