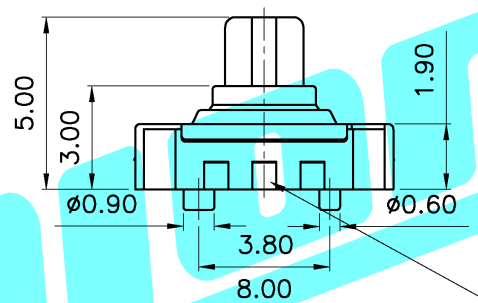
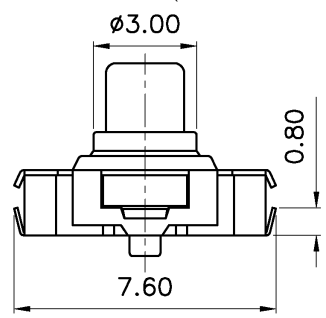
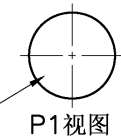
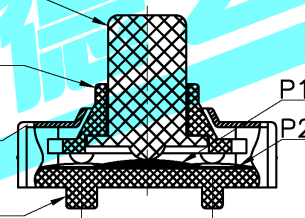


Terminal	①	②	③	④	⑤	⑥
Direction						
↓		●			●	
↙	●				●	
↘			●	●		
↖			●	●		
↗			●	●		

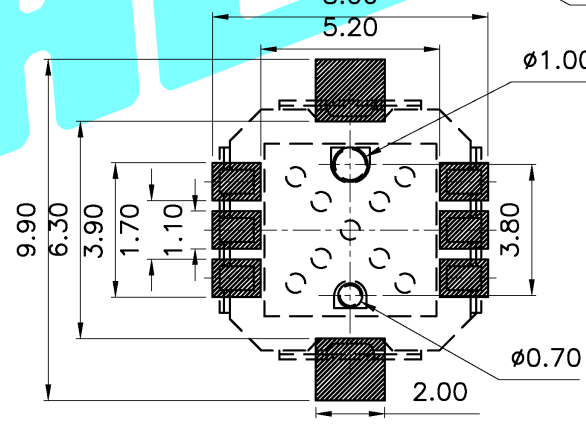
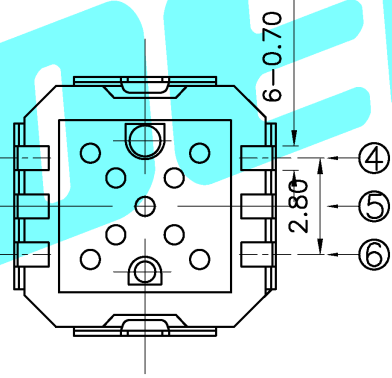
Circuit Diagram



- ⑦
- ①
- ②
- ③
- ④
- ⑤
- ⑥



NOTE:
 Operating Force:
 lever portion 160 ± 35 gf
 Push portion 250 ± 35 gf



PCB Layout(Pattern Side)

ITEM	PART NAME	QTY.	MATERIAL	FINISHING
⑦	Contact 2	2	F.Ag/SUS	—
⑥	Contact 1	1	F.Ag/SUS	—
⑤	Terminal	6	Brass(0.15t)	Plating silver
④	Base	1	LCP	Black
③	Cover	1	SUS	—
②	Axle sleeve	1	LCP	Black
①	Keystoke	1	PA46	Black

APPROVALS		DATE
DRAWN	G.M.Chen	2015/3/30
CHECKED		
APPROVALS		

DERION 德艺隆
 ELECTRONICS CO.,LTD

TITLE: MULTIFUNCTIONAL SWITCHES
 PART NO. BLQ-1502-01

TOLERANCES ARE	ANGLE
30~以上 ±0.30	±2°
10~30 ±0.20	
5~10 ±0.15	
~ 5 ±0.10	

UNIT: mm SCALE: 1:1 SHEET 1 OF 1
 DRAWING NO. PROJ:

ECN NO.	REV.	DATE.	DESCRIPTION.	CHANGE.	CHECK.	APPRO.
	A		NEW			