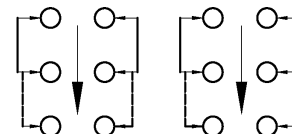
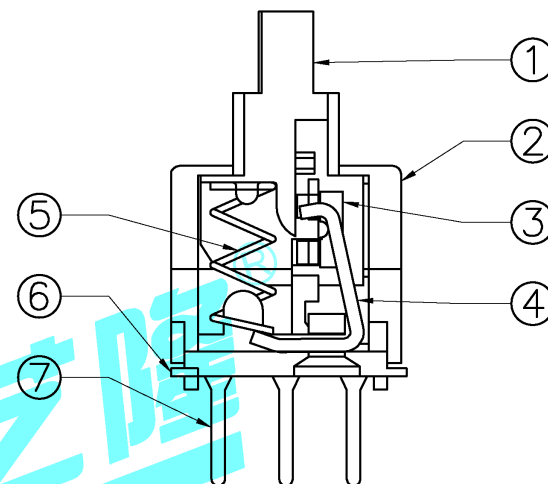
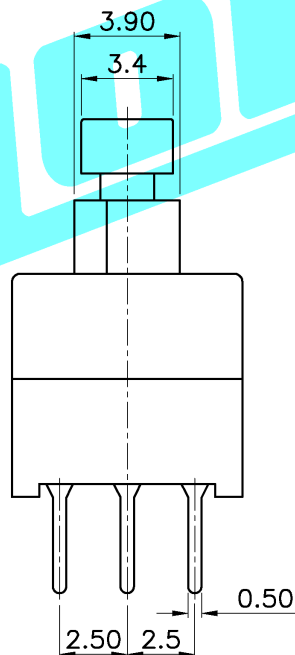
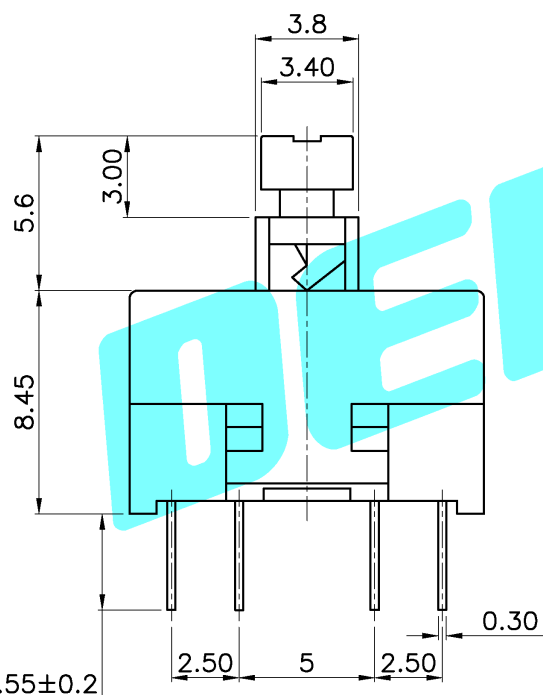


PCB Layout(Pattern Side)



Circuit Diagram



NOTE:

- 1. Operating Force: 400gf±80gf
- 2. Travel : 2.5±0.3mm

NO.	Operating Type	Part No.
1	Push To Lock	PS-42E01-L
2	Push No Lock	PS-42E01-N

ITEM	PART NAME	QTY.	MATERIAL	FINISHING
⑦	Terminal	12	Brass strip	Plating silver
⑥	Base	1	Nylon	Black
⑤	Spring	1	SUS	Natural
④	Crochet Needle	1	SUS	Natural
③	Contact	4	Phosphor bronze	Plating silver
②	Cover	1	POM	Gray
①	KNOB	1	POM	White

APPROVALS		DATE	DERLON® ELECTRONICS CO.,LTD	
DRAWN	G.M.Chen	2015/4/16	TITLE:	PUSH SWITCH
CHECKED			PART NO.	PS-42E01-X
APPROVALS			UNIT: mm	SCALE: 1:1
TOLERANCES ARE		ANGLE	DRAWING NO.	SHEET 1 OF 1
30~以上	±0.30	±2°		PROJ:
10~30	±0.20			
5~10	±0.15			
~ 5	±0.10			

ECN NO.	REV.	DATE.	DESCRIPTION.	CHANGE.	CHECK.	APPRO.
	A		NEW			