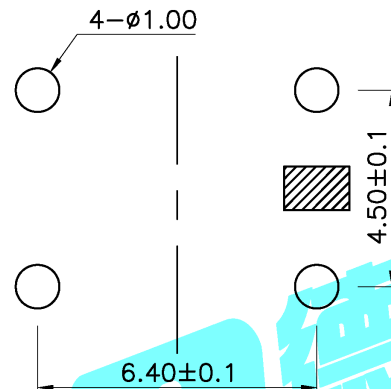
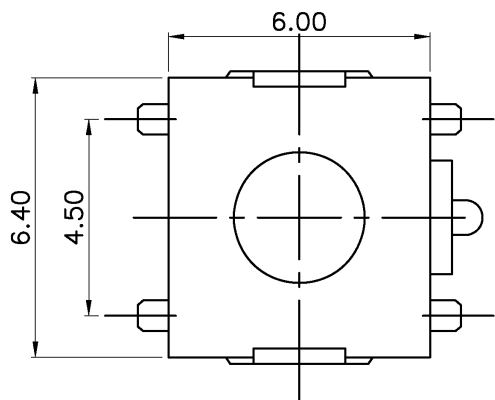


Circuit Diagram



PCB Layout(Pattern side)

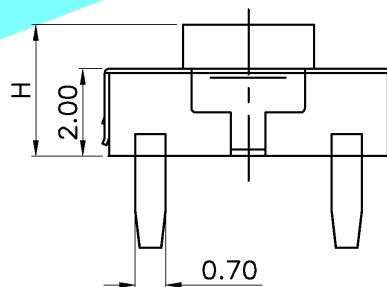
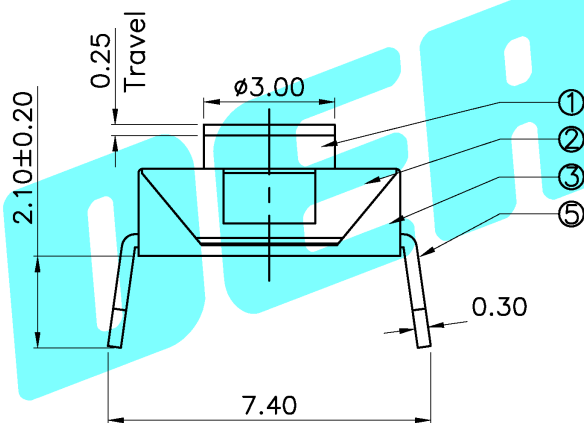
NO.1	
PART NO	H
B	2.5
C	2.7
D	3.1
E	3.4
F	5.5

NO.3	
PART NO	MATERIAL/QTY
S	SUS/1PC
C	C5210/1PC
D	SUS/2PCS
E	C5210/2PCS

NO.2	
PART NO	vigor
1	70±30
2	100±50
3	160±50
4	260±50
5	320±80
6	350±80
7	520±130

NO.4	
PART NO	NOTE
1~9	SERIAL NUMBER

NO.5	
PART NO	NOTE
B	Bulk
R	Tape&Reel



ITEM	PART NAME	QTY.	MATERIAL	FINISHING
⑤	Terminal	4	Copper	Plating silver
④	Contact	1	F.Ag/C5210	Natural
③	Base	1	Nylon	Black
②	Cover	1	SUS(0.15t)	Plating Nickel
①	Keystoke	1	Nylon	Red

APPROVALS _____ DATE _____

DRAWN G.M.Chen 2015/1/9

DERION 德之隆®
ELECTRONICS CO., LTD

CHECKED _____ TITLE: TACT SWITCHES

APPROVALS _____ PART NO. TC-1125DE-XXN-XXX

TOLERANCES ARE: 30~以上 ±0.30 ANGLE UNIT: mm SCALE: 1:1 SHEET 1 OF 1

10~30 ±0.20

5~10 ±0.15 ±2° DRAWING NO. _____ PROJ: _____

~ 5 ±0.10

ECN NO.	REV.	DATE.	DESCRIPTION.	CHANGE.	CHECK.	APPRO.
	A		NEW			