

PCB Layout(Pattern side) Circuit Diagram

| NO.1    |      |         |      |
|---------|------|---------|------|
| PART NO | H    | PART NO | H    |
| A       | 4.3  | O       | 11   |
| B       | 4.5  | P       | 11.5 |
| C       | 5    | Q       | 12   |
| D       | 5.5  | R       | 12.5 |
| E       | 6    | S       | 13   |
| F       | 6.5  | T       | 13.5 |
| G       | 7    | U       | 14   |
| H       | 7.5  | V       | 14.5 |
| I       | 8    | W       | 15   |
| J       | 8.5  | X       | 15.5 |
| K       | 9    | Y       | 16   |
| L       | 9.5  | Z       | 16.5 |
| M       | 10   | 1       | 17   |
| N       | 10.5 | 2       | 17.5 |

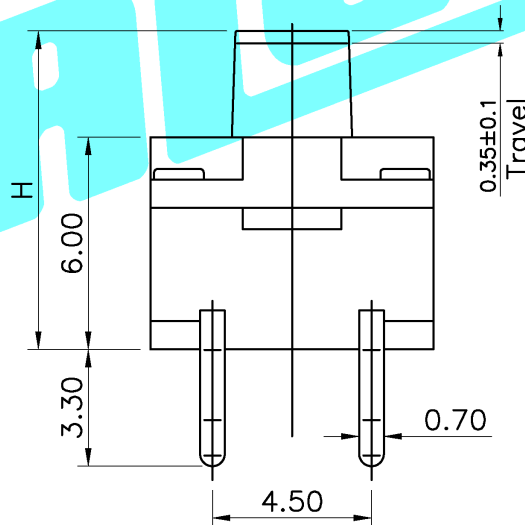
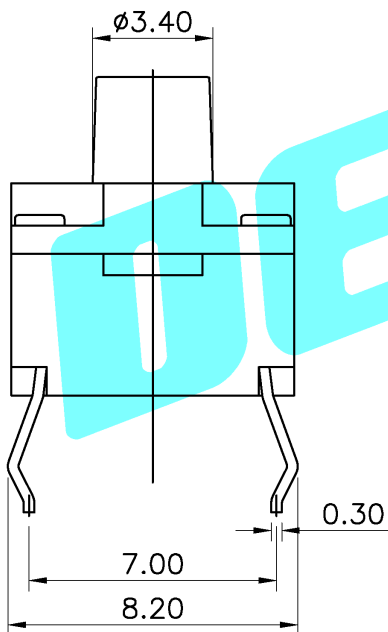
| NO.2    |         |
|---------|---------|
| PART NO | vigor   |
| 1       | 70±30   |
| 2       | 100±50  |
| 3       | 160±50  |
| 4       | 260±50  |
| 5       | 320±80  |
| 6       | 350±80  |
| 7       | 520±130 |

| NO.4    |               |
|---------|---------------|
| PART NO | NOTE          |
| 1~9     | SERIAL NUMBER |

| NO.5    |           |
|---------|-----------|
| PART NO | NOTE      |
| B       | Bulk      |
| R       | Tape&Reel |

| NO.3    |              |
|---------|--------------|
| PART NO | MATERIAL/QTY |
| S       | SUS/1PC      |
| C       | C5210/1PC    |
| D       | SUS/2PCS     |
| E       | C5210/2PCS   |



| ITEM | PART NAME           | QTY. | MATERIAL    | FINISHING      |
|------|---------------------|------|-------------|----------------|
| ⑧    | Dust Cover          | 1    | Kapton Film | Yellow         |
| ⑦    | Gasket              | 1    | Nylon       | Black          |
| ⑥    | Waterproof Silicone | 1    | Silica gel  | Black          |
| ⑤    | Terminal            | 4    | Brass(0.3t) | Plating silver |
| ④    | Contact             | 1    | F.Ag/C5210  | White          |
| ③    | Base                | 1    | Nylon       | Black          |
| ②    | Cover               | 1    | Nylon       | Black          |
| ①    | Keystoke            | 1    | Nylon       | Black          |

| APPROVALS |          | DATE      |
|-----------|----------|-----------|
| DRAWN     | G.M.Chen | 2015/6/10 |
| CHECKED   |          |           |
| APPROVALS |          |           |

**DERION 德之隆**  
ELECTRONICS CO.,LTD

TITLE: TACT SWITCHES  
PART NO. TC-1808DR-XXN-XXX

| TOLERANCES ARE | ANGLE | UNIT: mm    | SCALE: 1:1 | SHEET 1 OF 1 |
|----------------|-------|-------------|------------|--------------|
| 30~以上 ±0.30    | ±2°   | DRAWING NO. | PROJ:      |              |
| 10~30 ±0.20    |       |             |            |              |
| 5~10 ±0.15     |       |             |            |              |
| ~5 ±0.10       |       |             |            |              |

| ECN NO. | REV. | DATE. | DESCRIPTION. | CHANGE. | CHECK. | APPRO. |
|---------|------|-------|--------------|---------|--------|--------|
|         | A    |       | NEW          |         |        |        |