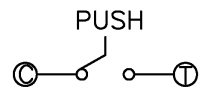


		0° (// = NO)	
TER	ANG.	(20°)	(15°)
①			
②			
③			

CCW ← → CW

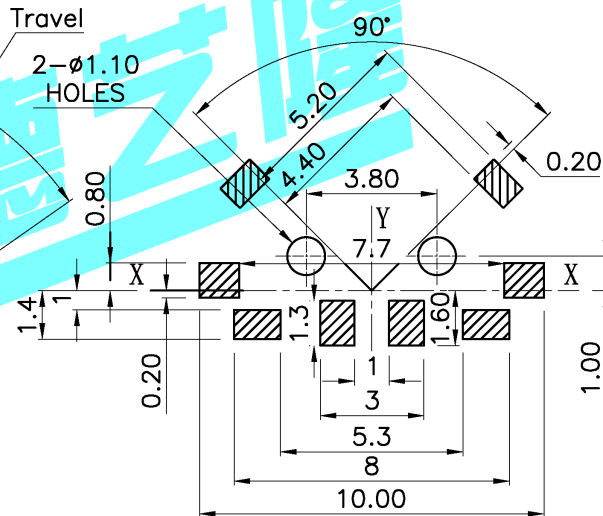
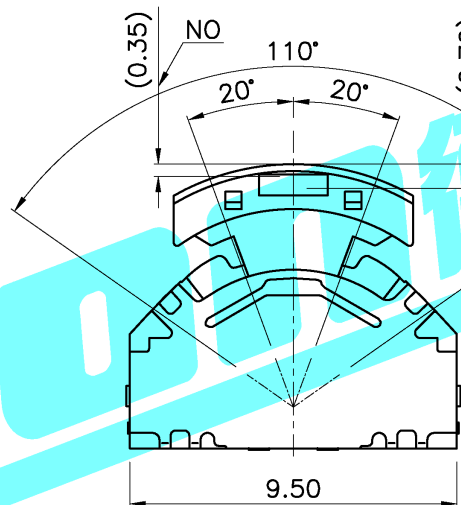
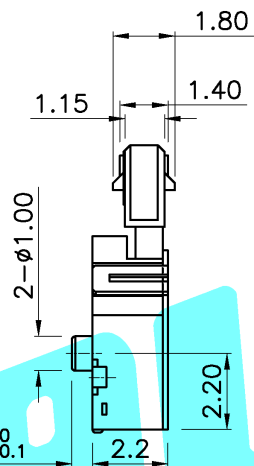
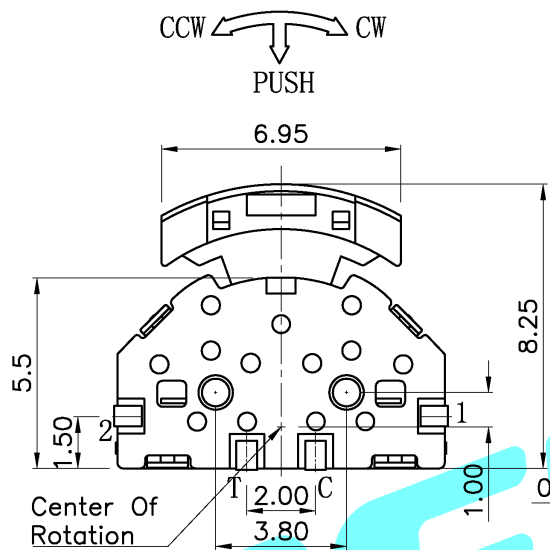
CODE TABLE



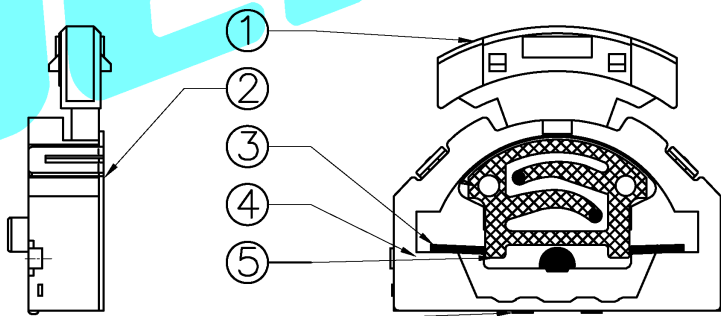
Circuit Diagram

NOTE:

Operating Force:  
 lever portion  $100 \pm 30$  gf  
 Push portion  $205 \pm 50$  gf



P.C.B Mounting Pattern Dimension



ITEM	PART NAME	QTY.	MATERIAL	FINISHING
⑥	Contact	1	F.Ag/Brass	—
⑤	Terminal	4	Brass(0.15t)	Plating silver
④	Base	1	Nylon	Black
③	Spring	1	SUS	—
②	Cover	1	SUS	White
①	Keystoke	1	Nylon	Black

APPROVALS		DATE	DERLON® ELECTRONICS CO.,LTD	
DRAWN	G.M.Chen	2015/3/30	TITLE:	MULTIFUNCTIONAL SWITCHES
CHECKED			PART NO.	BLQ-1571-02
APPROVALS			UNIT: mm	SCALE: 1:1
TOLERANCES ARE	30~以上	±0.30	ANGLE	SHEET 1 OF 1
	10~30	±0.20		
	5~10	±0.15	DRAWING NO.	PROJ: ⊕
	~ 5	±0.10		

ECN NO.	REV.	DATE.	NEW	DESCRIPTION.	CHANGE.	CHECK.	APPRO.
	A						