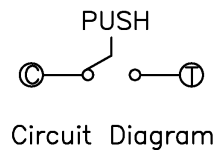


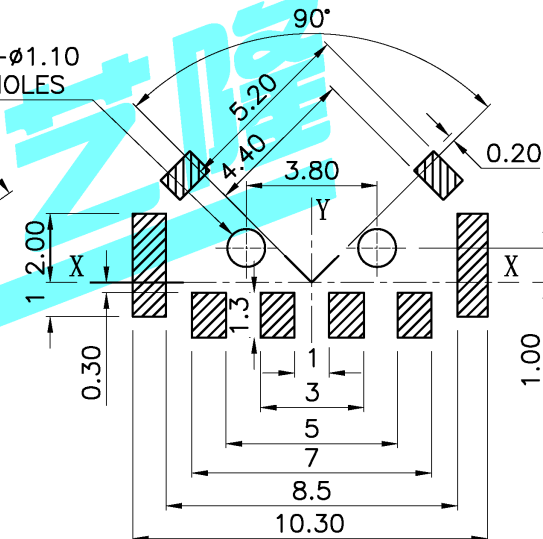
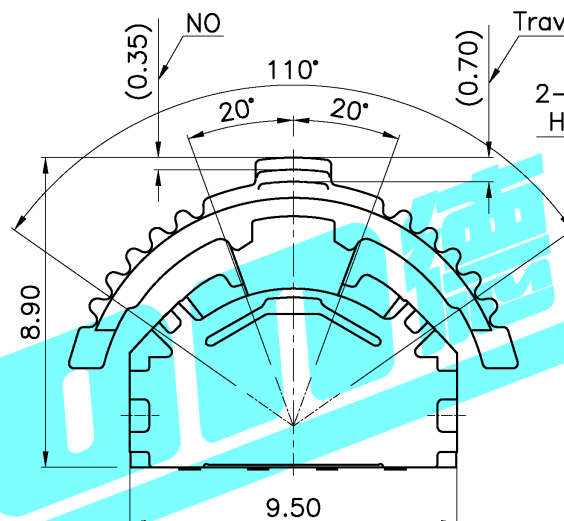
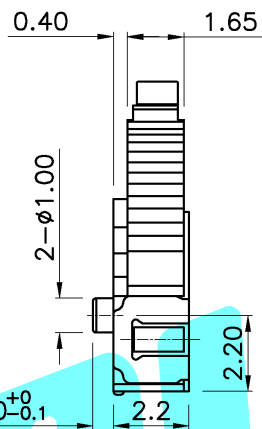
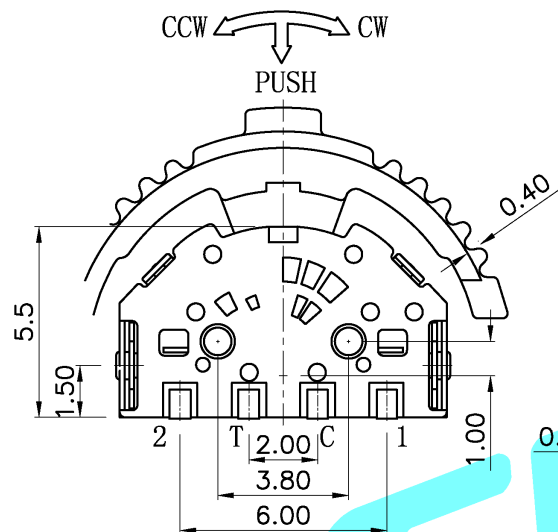
		0° (///=NO)			
TER	ANG.	(20°)	(15°)	(15°)	(20°)
①		///			
②				///	
③		///	///	///	///

CCW ← → CW

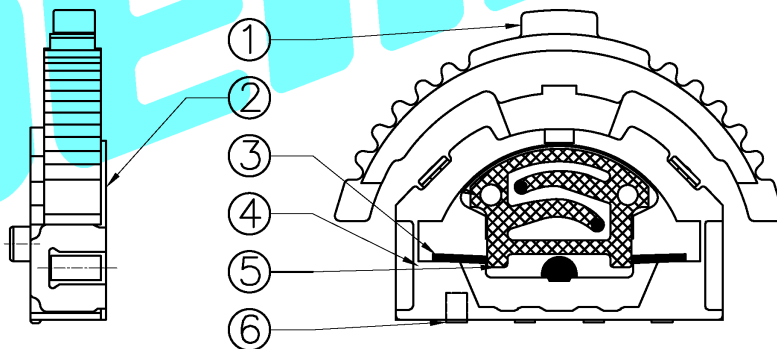
CODE TABLE



NOTE:
 Operating Force:
 lever portion 100 ± 30 gf
 Push portion 205 ± 50 gf



P.C.B Mounting Pattern Dimension



⑥	Contact	1	F.Ag/Brass	
⑤	Terminal	4	Brass(0.15t)	Plating silver
④	Base	1	Nylon	Black
③	Spring	1	SUS	
②	Cover	1	SUS	White
①	Keystoke	1	Nylon	Black
ITEM	PART NAME	QTY.	MATERIAL	FINISHING

APPROVALS		DATE	DERON 德之隆® ELECTRONICS CO.,LTD	
DRAWN	G.M.Chen	2015/3/30	TITLE:	MULTIFUNCTIONAL SWITCHES
CHECKED			PART NO.	BLQ-1562-01
APPROVALS			UNIT: mm	SCALE: 1:1
TOLERANCES ARE		ANGLE	DRAWING NO.	SHEET 1 OF 1
30~0.1E	±0.30	±2°		PROJ:
10~30	±0.20			
5~10	±0.15			
~ 5	±0.10			

ECN NO.	REV.	DATE.	NEW	CHANGE.	CHECK.	APPRO.
	A		DESCRIPTION.			