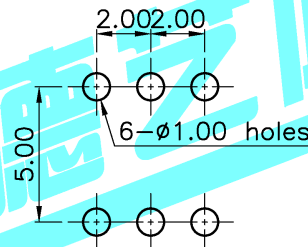
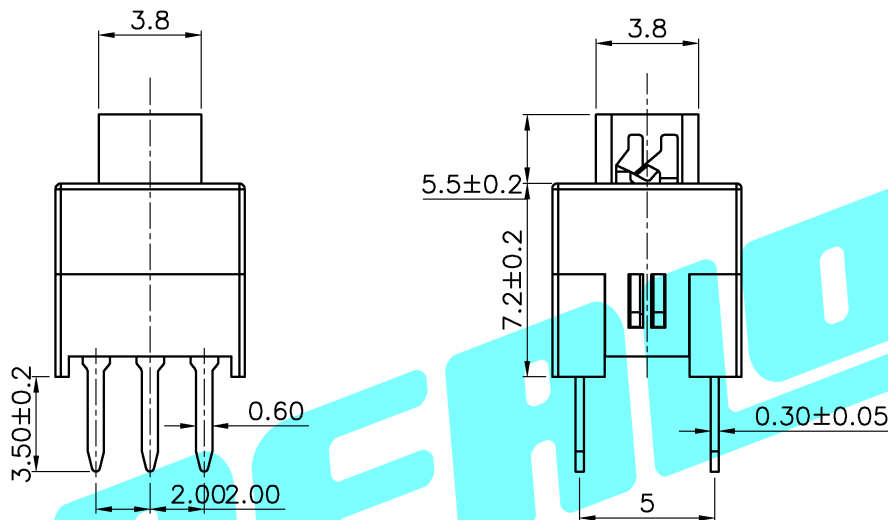
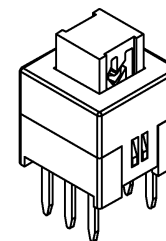
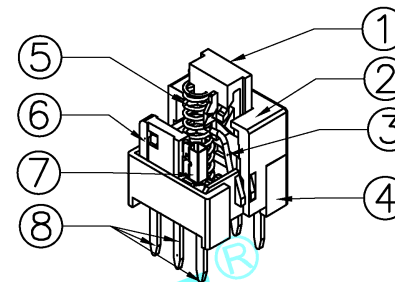
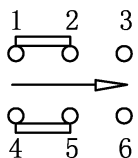
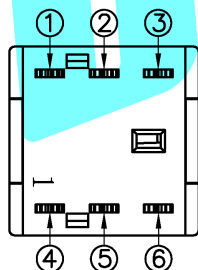


NOTE:  
 1. Operating Force: 230gf±50gf  
 2. Travel : 2.4±0.2mm



PCB Layout(Pattern Side)

NO.	Operating Type	Part No.
1	Push To Lock	PB-22E72-L
2	Push No Lock	PB-22E72-N
3	Push No Sound No Lock	PB-22E72-S



Circuit Diagram

ITEM	PART NAME	QTY.	MATERIAL	FINISHING
⑧	Terminal	6	Brass strip	Plating silver
⑦	Contact	2	Phosphor bronze	Plating silver
⑥	Securing glue	2	PA66	Black
⑤	Spring	1	SUS	Natural
④	Base	1	PBT	Black
③	Crochet Needle	1	SUS	Natural
②	Cover	1	POM	White
①	KNOB	1	POM	Blue

APPROVALS		DATE	DERON 德之隆® ELECTRONICS CO.,LTD	
DRAWN	G.M.Chen	2015/4/16	TITLE:	PUSH SWITCH
CHECKED			PART NO.	PB-22E72-X
APPROVALS			UNIT: mm	SCALE: 1:1
TOLERANCES ARE	30~BL.F. ±0.30	ANGLE	DRAWING NO.	SHEET 1 OF 1
	10~30 ±0.20	±2°		
	5~10 ±0.15			
	~ 5 ±0.10			

ECN NO.	REV.	DATE.	DESCRIPTION.	CHANGE.	CHECK.	APPRO.
	A		NEW			