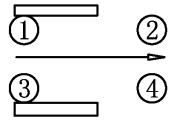
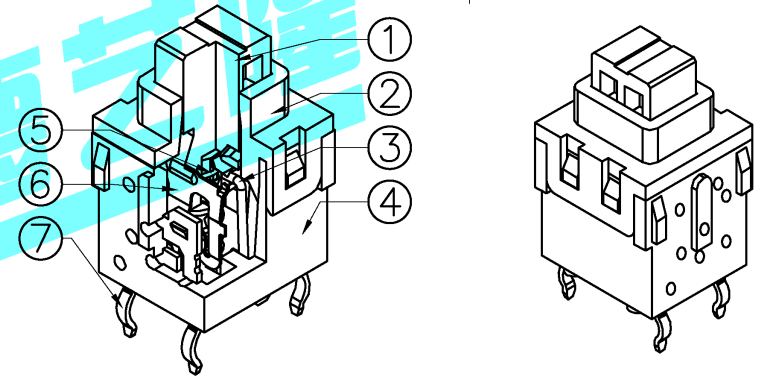


PCB Layout(Pattern Side)



Circuit Diagram



NO.	Operating Type	Part No.	Part No.
1	Push To Lock	PS-22E33-L	PS-22E32-L
2	Push No Lock	PS-22E33-N	PS-22E32-N
3	Push No Sound No Lock	PS-22E33-S	PS-22E32-S

ITEM	PART NAME	QTY.	MATERIAL	FINISHING
⑦	Terminal	4	Brass strip	Plating silver
⑥	Contact	2	Phosphor bronze	Plating silver
⑤	Spring	1	SUS	Natural
④	Base	1	PBT	Black
③	Crochet Needle	1	SUS	Natural
②	Cover	1	POM	White
①	KNOB	1	PA66	White

APPROVALS		DATE	DERON® ELECTRONICS CO.,LTD	
DRAWN	G.M.Chen	2015/4/16	TITLE:	PUSH SWITCH
CHECKED			PART NO.	PS-22E33-X
APPROVALS			UNIT: mm	SCALE: 1:1
TOLERANCES ARE		ANGLE	DRAWING NO.	SHEET 1 OF 1
30~以上	±0.30	±2°		PROJ.
10~30	±0.20			
5~10	±0.15			
~ 5	±0.10			

ECN NO.	REV.	DATE.	DESCRIPTION.	CHANGE.	CHECK.	APPRO.
	A		NEW			