

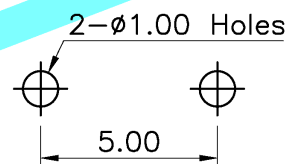
NO.1	
PART NO	H
C	5
G	7
H	7.5
J	8.5
M	9.9

NO.3	
PART NO	MATERIAL/QTY
S	SUS/1PC
C	C5210/1PC
D	SUS/2PCS
E	C5210/2PCS

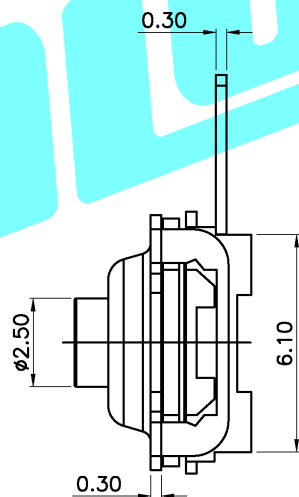
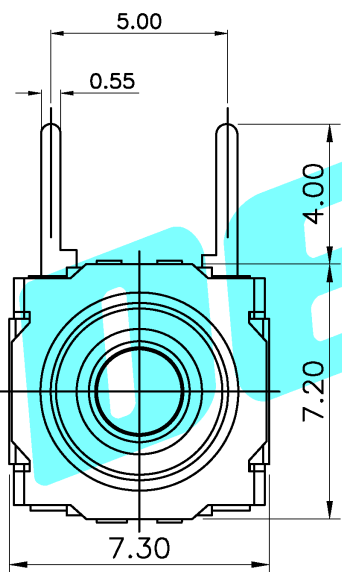
NO.2	
PART NO	vigor
1	70±30
2	100±50
3	160±50
4	260±50
5	320±80
6	350±80
7	520±130

NO.4	
PART NO	NOTE
1~9	SERIAL NUMBER

NO.5	
PART NO	NOTE
B	Bulk
R	Tape&Reel



PCB Layout(Pattern side)



ITEM	PART NAME	QTY.	MATERIAL	FINISHING
⑤	Cover	1	Brass	Tin Plated
④	Keystoke	1	Silica gel	Red
③	Contact	1	F.Ag/C5210	Plating silver
②	Base	1	PPA	Black
①	Terminal	4	Copper(0.3t)	Plating silver

APPROVALS		DATE
DRAWN	G.M.Chen	2015/6/10
CHECKED		
APPROVALS		

DERION 德之隆
ELECTRONICS CO.,LTD

TITLE: TACT SWITCHES

PART NO. TC-1807DH-XXN-XXX

TOLERANCES ARE	ANGLE	UNIT: mm	SCALE: 1:1	SHEET 1 OF 1
30~以上 ±0.30	±2°	DRAWING NO.	PROJ:	
10~30 ±0.20				
5~10 ±0.15				
~ 5 ±0.10				

ECN NO.	REV.	DATE.	DESCRIPTION.	CHANGE.	CHECK.	APPRO.
	A		NEW			