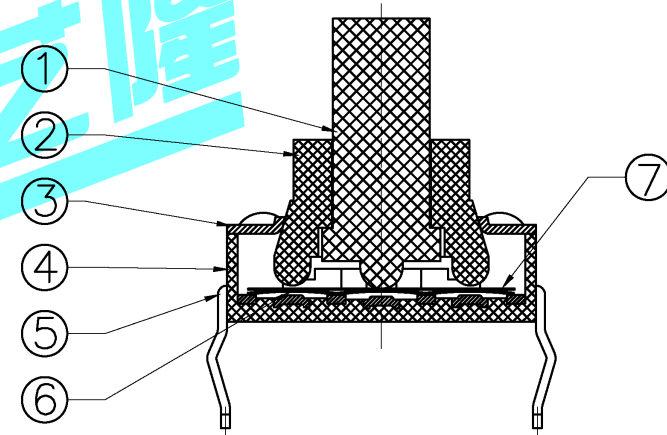
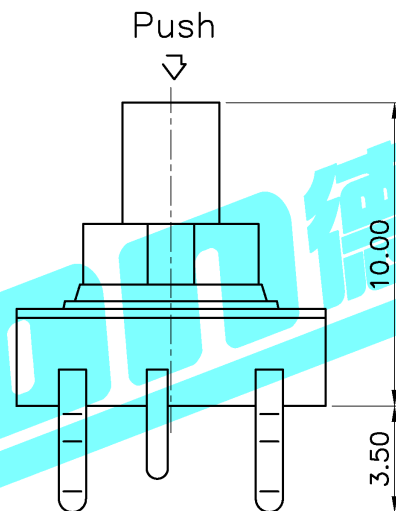
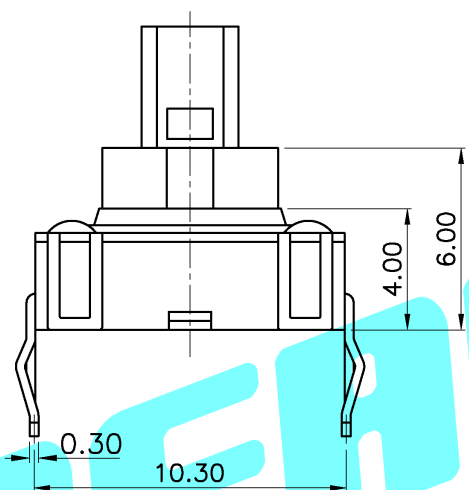
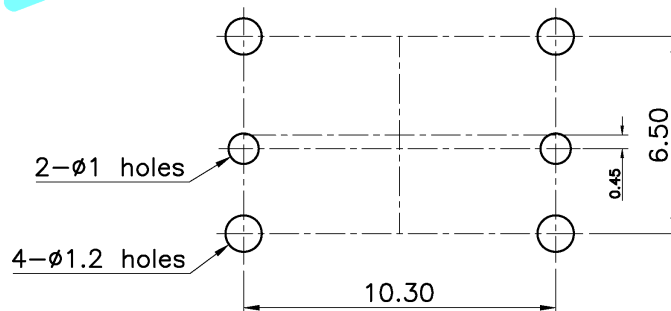


Circuit Diagram



NOTE:
 Operating Force:
 4-direction 160 ± 35 gf
 center push 300 ± 35 gf
 Travel: 4-direction $5^\circ \pm 2^\circ$
 center push 0.20 ± 0.1 mm



PCB Layout(Pattern Side)

ITEM	PART NAME	QTY.	MATERIAL	FINISHING
⑦	Dust cover	1	Kapton film	Yellow
⑥	Contact	6	F.Ag/SUS	—
⑤	Terminal	8	Brass(0.3t)	Plating silver
④	Base	1	PA46	Black
③	Cover	1	SUS	Plating Ni
②	Axle sleeve	1	LCP	Off-white
①	Knob	1	LCP	Black

APPROVALS			DATE	DERON 德艺隆® ELECTRONICS CO.,LTD	
DRAWN	G.M.Chen		2015/3/30	TITLE:	MULTIFUNCTIONAL SWITCHES
CHECKED				PART NO.	BLQ-1512-01
APPROVALS				UNIT: mm	SCALE: 1:1
TOLERANCES ARE			ANGLE	DRAWING NO.	SHEET 1 OF 1
30~以上	±0.30		±2°		PROJ:
10~30	±0.20				
5~10	±0.15				
~ 5	±0.10				

ECN NO.	REV.	DATE.	DESCRIPTION.	CHANGE.	CHECK.	APPRO.
	A		NEW			