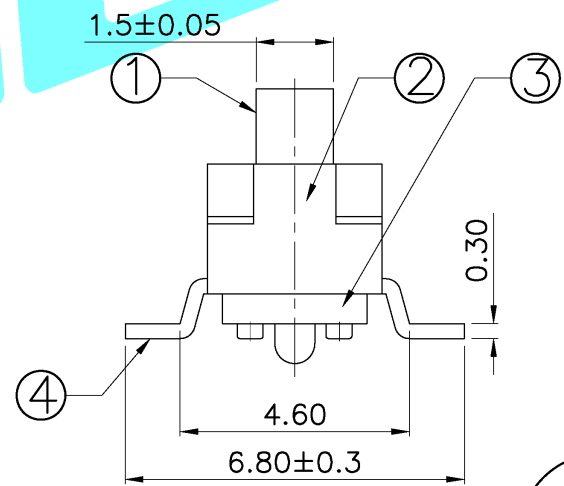
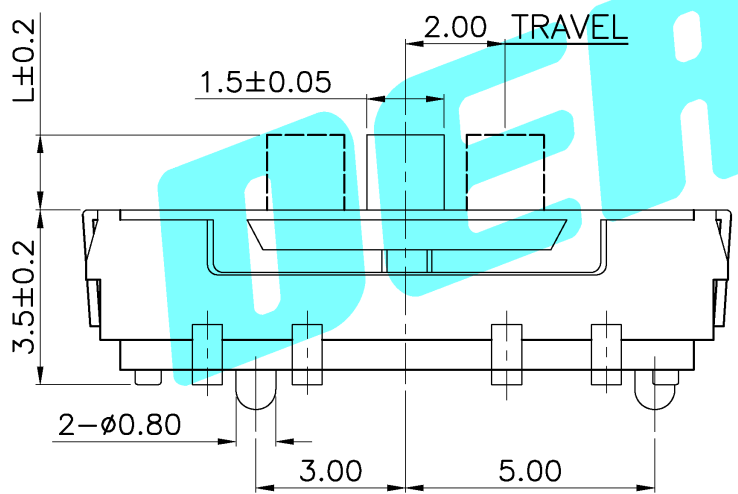


PCB Layout(Pattern side)



PART NO.	L	Operating force
MS-23D22-G2	2	250±100gf
MS-23D22-G3	3	
MS-23D22-G4	4	

ITEM	PART NAME	QTY.	MATERIAL	FINISHING
⑤	Contact Spring	2	Beryllium copper	Ag Plated
④	Terminal	8	Brass Strip	Ag Plated
③	Base	1	NYLON	Black
②	Cover	1	SUS	Natural
①	KNOB	1	NYLON	White

APPROVALS		DATE
DRAWN	G.M.Chen	2014/8/18
CHECKED		
APPROVALS		

**DERION 德艺隆**  
ELECTRONICS CO.,LTD

TITLE: SLIDE SWITCHES  
PART NO. MS-23D22-G

TOLERANCES ARE	30~以上 ±0.30	ANGLE	UNIT: mm	SCALE: 1:1	SHEET 1 OF 1
	10~30 ±0.20		DRAWING NO.		PROJ:
	5~10 ±0.15	±2°			
	~ 5 ±0.10				

ECN NO.	REV.	DATE.	DESCRIPTION.	CHANGE.	CHECK.	APPRO.
	A		NEW			