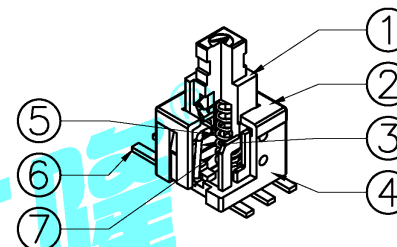
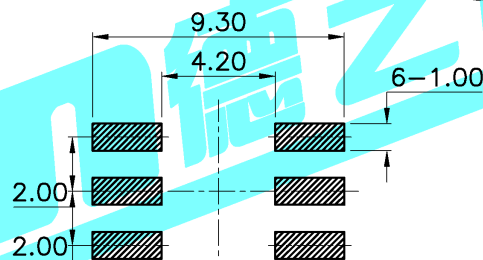
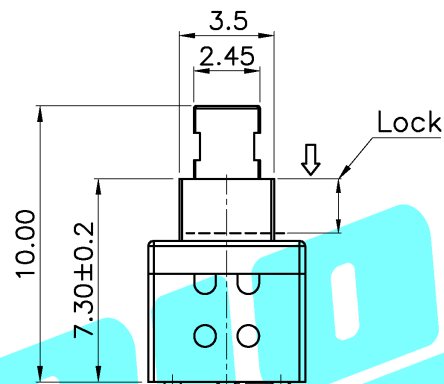
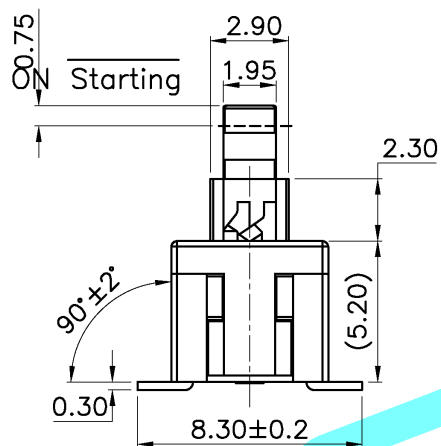
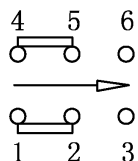
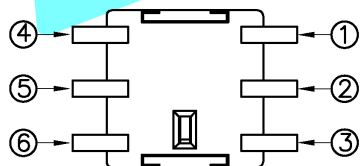


NOTE:
1. Operating Force: 180gf±50gf



PCB Layout(Pattern Side)

| NO. | Operating Type | Part No. |
|-----|-----------------------|------------|
| 1 | Push To Lock | PB-22E62-L |
| 2 | Push No Lock | PB-22E62-N |
| 3 | Push No Sound No Lock | PB-22E62-S |



Circuit Diagram

| ITEM | PART NAME | QTY. | MATERIAL | FINISHING |
|------|----------------|------|-----------------|----------------|
| ⑦ | Contact | 2 | Phosphor bronze | Plating silver |
| ⑥ | Terminal | 6 | Brass strip | Plating silver |
| ⑤ | Spring | 1 | SUS | Natural |
| ④ | Base | 1 | Nylon | Gray |
| ③ | Crochet Needle | 1 | SUS | Natural |
| ② | Cover | 1 | POM | Black |
| ① | KNOB | 1 | POM | White |

| APPROVALS | | DATE | DERON 德之隆® ELECTRONICS CO.,LTD | |
|----------------|----------|-----------|-----------------------------------|--------------|
| DRAWN | G.M.Chen | 2015/4/16 | TITLE: | PUSH SWITCH |
| CHECKED | | | PART NO. | PB-22E62-X |
| APPROVALS | | | UNIT: mm | SCALE: 1:1 |
| TOLERANCES ARE | | ANGLE | DRAWING NO. | SHEET 1 OF 1 |
| 30~以上 | ±0.30 | ±2° | | PROJ: |
| 10~30 | ±0.20 | | | |
| 5~10 | ±0.15 | | | |
| ~ 5 | ±0.10 | | | |

| ECN NO. | REV. | DATE. | DESCRIPTION. | CHANGE. | CHECK. | APPRO. |
|---------|------|-------|--------------|---------|--------|--------|
| | A | | NEW | | | |