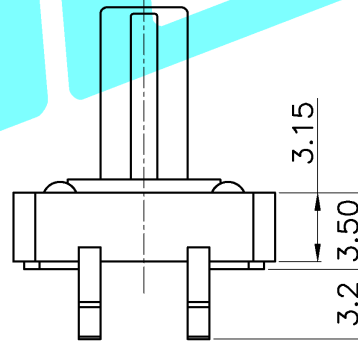
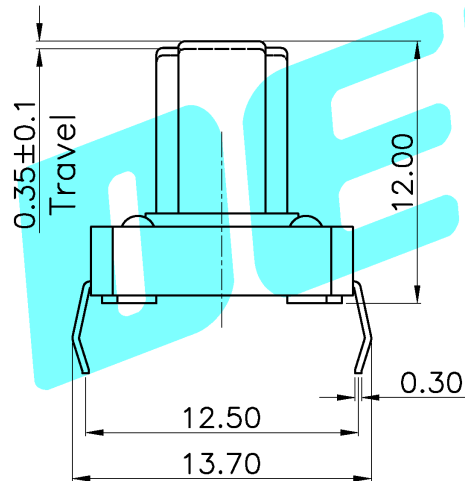


PCB Layout(Pattern side)

Circuit Diagram



NO.1	
PART NO	vigor
1	70±30
2	100±50
3	160±50
4	260±50
5	320±80
6	350±80
7	520±130

NO.2	
PART NO	MATERIAL/QTY
S	SUS/1PC
C	C5210/1PC
D	SUS/2PCS
E	C5210/2PCS

NO.3	
PART NO	NOTE
1~9	SERIAL NUMBER

NO.4	
PART NO	NOTE
B	Bulk
R	Tape&Reel

⑤	Terminal	4	Brass(0.3t)	Plating silver
④	Contact	1	F.Ag/C5210	——
③	Base	1	Nylon	Black
②	Cover	1	SPCC/Brass	Plating Sn
①	Keystoke	1	Nylon	Black
ITEM	PART NAME	QTY.	MATERIAL	FINISHING

APPROVALS		DATE	DERION® ELECTRONICS CO.,LTD	
DRAWN	G.M.Chen	2014/12/19	TITLE:	TACT SWITCHES
CHECKED			PART NO.	TC-1212DB-AXN-XXX
APPROVALS			TOLERANCES ARE	30~以上 ±0.30 10~30 ±0.20 5~10 ±0.15 ~ 5 ±0.10
			ANGLE	UNIT: mm SCALE: 1:1 PROJ:
			±2'	DRAWING NO. SHEET 1 OF 1

ECN NO.	REV.	DATE.	DESCRIPTION.	CHANGE.	CHECK.	APPRO.
	A		NEW			