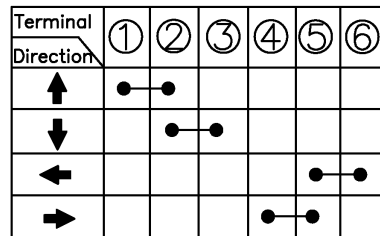
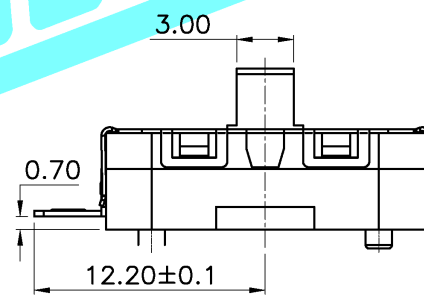
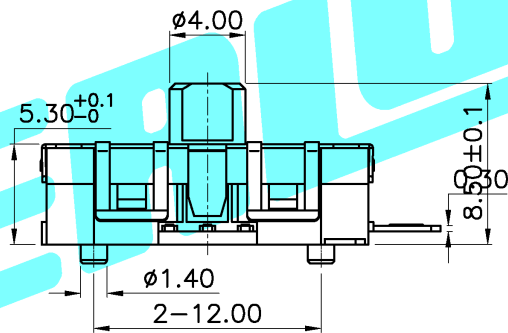


PCB Layout(Pattern Side)



Circuit Diagram

NOTE:
Operating Force: 50gf-180gf Max

ITEM	PART NAME	QTY.	MATERIAL	FINISHING
⑩	Terminal	6	H65(0.3t)	Plating silver
⑨	PCB	1	FR4	—
⑧	Base	1	PPA	Black
⑦	Movable pin 2	1	LCP	White
⑥	Contact	2	Brass(0.10t)	Plating silver
⑤	Movable pin 1	1	LCP	White
④	Cover 2	1	FR52	Black
③	Rocker	1	FR52	Black
②	spring	1	SUS	—
①	Cover 1	1	SUS	White

APPROVALS		DATE	DERON 德之隆® ELECTRONICS CO.,LTD	
DRAWN	G.M.Chen	2015/6/16	TITLE:	MULTIFUNCTIONAL SWITCHES
CHECKED			PART NO.	BLQ-1514-01
APPROVALS			UNIT: mm	SCALE: 1:1
TOLERANCES ARE	30~以上 ±0.30	ANGLE	DRAWING NO.	SHEET 1 OF 1
	10~30 ±0.20	±2°		
	5~10 ±0.15			
	~ 5 ±0.10			

ECN NO.	REV.	DATE.	NEW DESCRIPTION.	CHANGE.	CHECK.	APPRO.
	A					