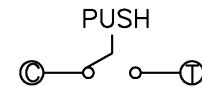


		0° (///=NO)			
TER	ANG.	(20°)	(15°)	(15°)	(20°)
①		///			
②				///	
③		///	///	///	///

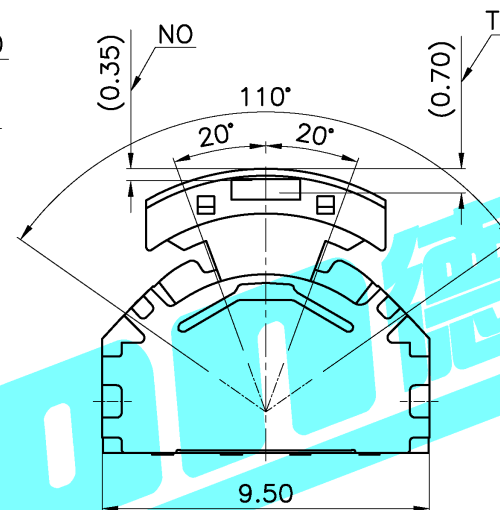
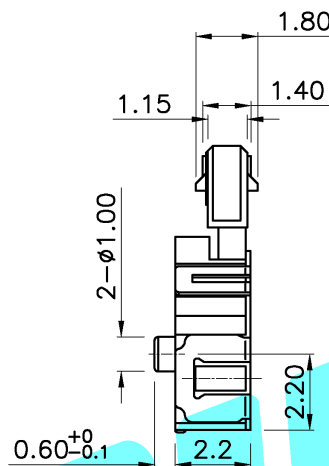
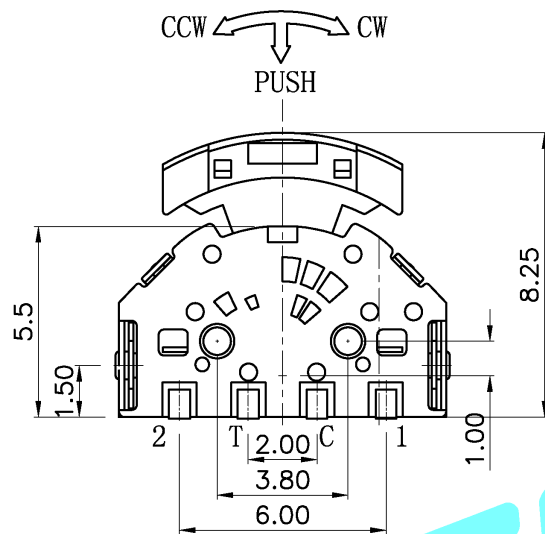
CCW ← → CW

CODE TABLE

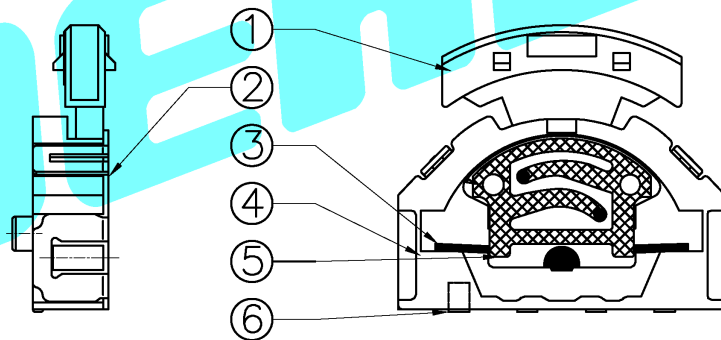


Circuit Diagram

NOTE:
 Operating Force:
 lever portion 100 ± 30 gf
 Push portion 205 ± 50 gf



P.C.B Mounting Pattern Dimension



⑥	Contact	1	F.Ag/Brass	—
⑤	Terminal	4	Brass(0.15t)	Plating silver
④	Base	1	Nylon	Black
③	Spring	1	SUS	—
②	Cover	1	SUS	Whitie
①	Keystoke	1	Nylon	Black
ITEM	PART NAME	QTY.	MATERIAL	FINISHING

APPROVALS		DATE	DERION 德之隆®	
DRAWN	G.M.Chen	2015/3/30	ELECTRONICS CO.,LTD	
CHECKED			TITLE:	MULTIFUNCTIONAL SWITCHS
APPROVALS			PART NO.	BLQ-1562-02
TOLERANCES ARE	30~以上	±0.30	ANGLE	UNIT: mm
	10~30	±0.20		SCALE: 1:1
	5~10	±0.15		SHEET 1 OF 1
	~ 5	±0.10	±2°	DRAWING NO.

ECN NO.	REV.	DATE.	NEW	CHANGE.	CHECK.	APPRO.
			DESCRIPTION.			