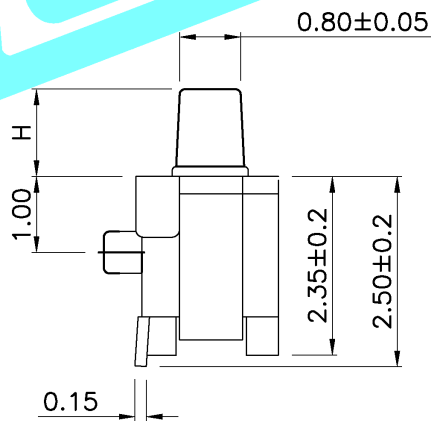
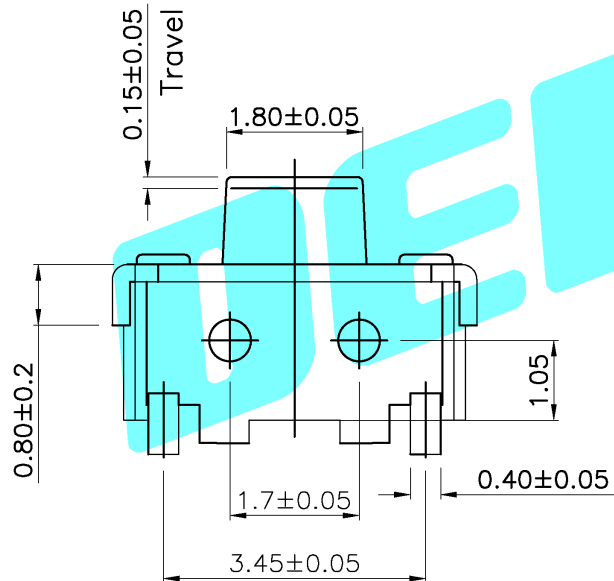


PCB Layout(Pattern side)



NO.1	
PART NO	H
A	1.2
B	0.9
C	1.5

NO.2	
PART NO	vigor
1	70±30
2	100±50
3	160±50
4	260±50
5	320±80
6	350±80
7	520±130

NO.4	
PART NO	NOTE
1~9	SERIAL NUMBER

NO.3	
PART NO	MATERIAL/QTY
S	SUS/1PC
D	SUS/2PCS

NO.5	
PART NO	NOTE
B	Bulk
R	Tape&Reel

ITEM	PART NAME	QTY.	MATERIAL	FINISHING
⑤	Terminal	2	Phosphor Bronze	Plating silver
④	Contact	2	SUS	Natural
③	Base	1	LCP	White
②	Cover	1	Brass	Plating silver
①	Knob	1	PA46	Black

APPROVALS		DATE	DERION 德艺隆® ELECTRONICS CO., LTD	
DRAWN	G.M.Chen	2015/5/19	TITLE:	TACT SWITCHES
CHECKED			PART NO.	TD-1100SA-XXN-XXX
APPROVALS			UNIT: mm	SCALE: 1:1
TOLERANCES ARE	30~以上 ±0.30 10~30 ±0.20 5~10 ±0.15 ~ 5 ±0.10	ANGLE ±2'	DRAWING NO.	SHEET 1 OF 1
ECN NO.	REV.	DATE.	DESCRIPTION.	CHANGE. CHECK. APPRO.