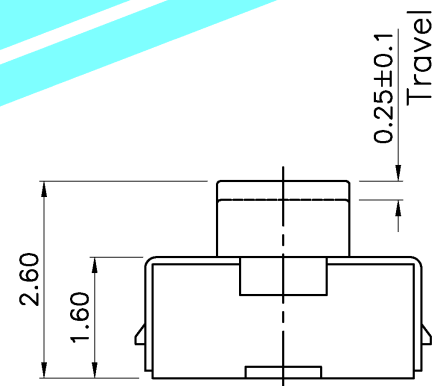
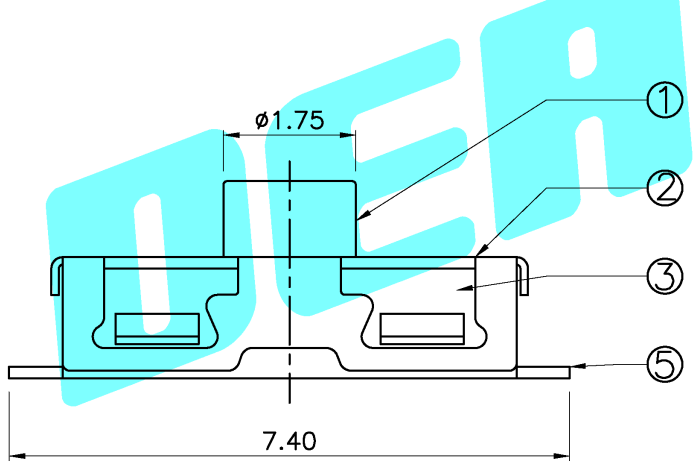


Circuit diagram

PCB Layout (Pattern Side)



NO.1	
PART NO	vigor
1	90±30
2	130±30
3	180±30
4	250±30
5	350±50

NO.3-NO.4	
PART NO	NOTE
01~10	SERIAL NUMBER

NO.4	
PART NO	NOTE
1~9	SERIAL NUMBER

NO.2	
PART NO	MATERIAL/QTY
S	SUS/1PC
D	SUS/2PCS

NO.5	
PART NO	NOTE
B	Bulk
R	Tape&Reel

⑤	Terminal	2	Phosphor Bronze	Plating silver
④	Contact	2	F.Ag/SUS	Plating silver
③	Base	1	Nylon	Black
②	Cover	1	SUS	Natural
①	Keystoke	1	Silica gel	Blue
ITEM	PART NAME	QTY.	MATERIAL	FINISHING

APPROVALS		DATE	DERION 德之隆 ELECTRONICS CO.,LTD	
DRAWN	G.M.Chen	2015/5/19	TITLE:	TACT SWITCHES
CHECKED			PART NO.	TD-1111SR-XXX-XXX
APPROVALS			UNIT: mm	SCALE: 1:1
TOLERANCES ARE	30~以上 ±0.30	ANGLE	DRAWING NO.	
	10~30 ±0.20			
	5~10 ±0.15	±2°		
	~ 5 ±0.10			

ECN NO.	REV.	DATE.	DESCRIPTION.	CHANGE.	CHECK.	APPRO.
	A		NEW			