

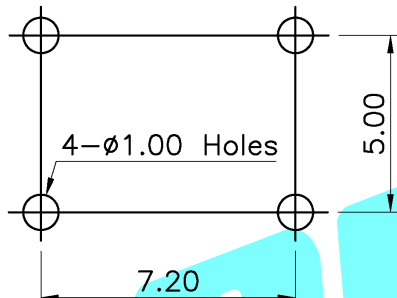
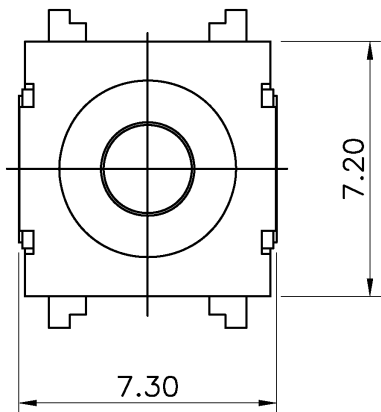
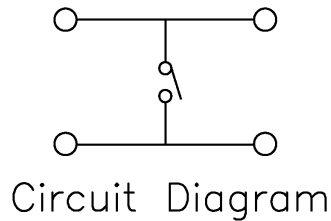
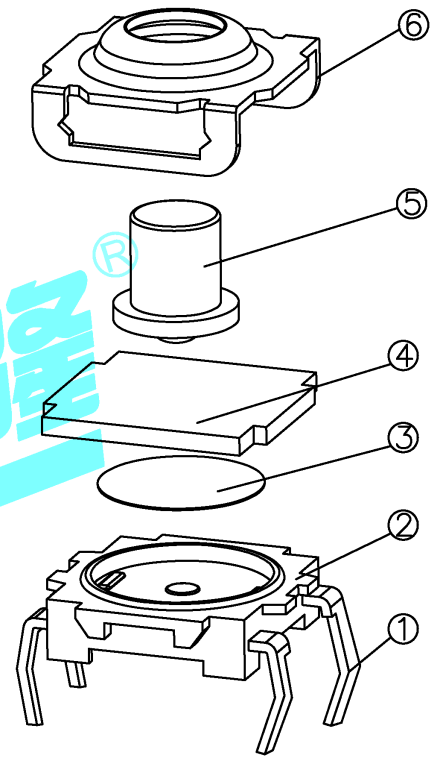
NO.1	
PART NO	H
C	5
G	7
H	7.5
J	8.5
M	9.9

NO.2	
PART NO	vigor
1	70±30
2	100±50
3	160±50
4	260±50
5	320±80
6	350±80
7	520±130

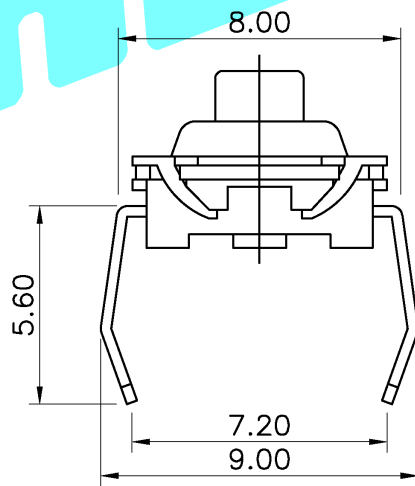
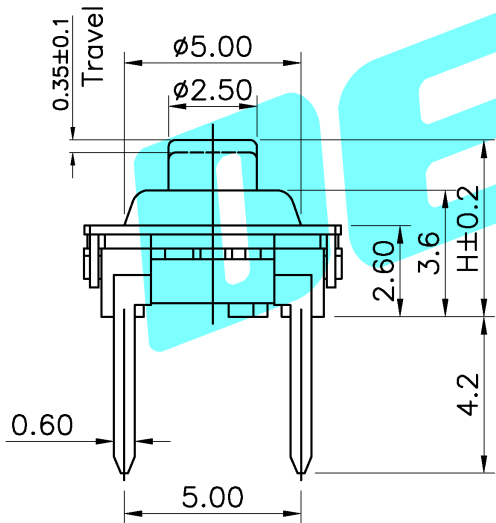
NO.3	
PART NO	MATERIAL/QTY
S	SUS/1PC
C	C5210/1PC
D	SUS/2PCS
E	C5210/2PCS

NO.4	
PART NO	NOTE
1~9	SERIAL NUMBER

NO.5	
PART NO	NOTE
B	Bulk
R	Tape&Reel



PCB Layout(Pattern side)



ITEM	PART NAME	QTY.	MATERIAL	FINISHING
⑥	Cover	1	Brass	Tin Plated
⑤	Keystoke	1	Nylon	Blue
④	Waterproof Silicone	1	Silica gel	—
③	Contact	1	F.Ag/C5210	Plating silver
②	Base	1	PPA	Blue
①	Terminal	4	Copper(0.3t)	Plating silver

APPROVALS		DATE
DRAWN	G.M.Chen	2015/6/10

**DERION 德艺隆**  
ELECTRONICS CO.,LTD

CHECKED		TITLE:	TACT SWITCHES								
APPROVALS		PART NO.	TC-1807DR-XXN-XXX								
TOLERANCES ARE	<table border="1"> <tr> <td>30~以上</td> <td>±0.30</td> </tr> <tr> <td>10~30</td> <td>±0.20</td> </tr> <tr> <td>5~10</td> <td>±0.15</td> </tr> <tr> <td>~ 5</td> <td>±0.10</td> </tr> </table>	30~以上	±0.30	10~30	±0.20	5~10	±0.15	~ 5	±0.10	ANGLE	±2°
30~以上	±0.30										
10~30	±0.20										
5~10	±0.15										
~ 5	±0.10										
UNIT:	mm	SCALE:	1:1								
DRAWING NO.		SHEET	1 OF 1								

ECN NO.	REV.	DATE.	DESCRIPTION.	CHANGE.	CHECK.	APPRO.
	A		NEW			