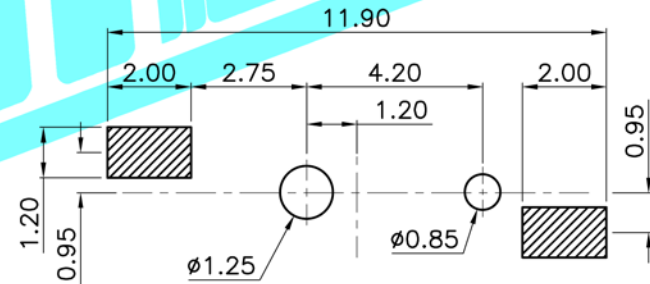
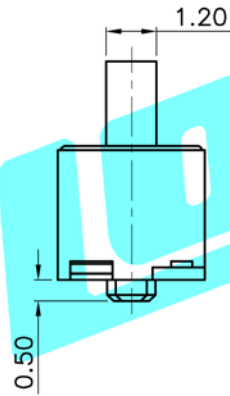
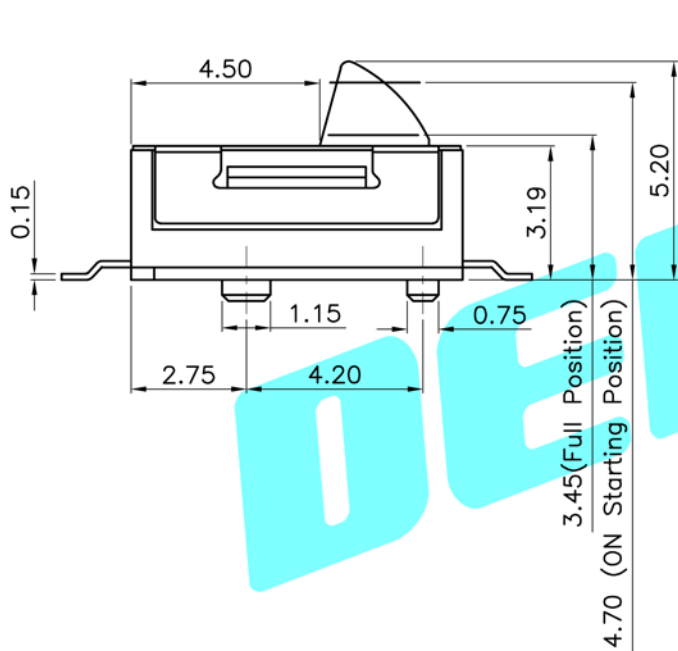
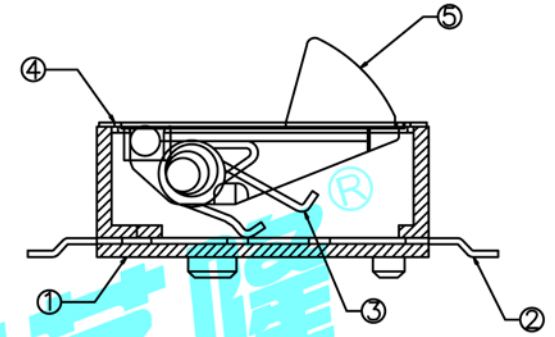


Circuit Diagram



PCB Layout(Pattern side)

- 1.Rating : DC 30V 0.1A
- 2.Contact Resistance:  $\leq 500m\Omega$
- 3.Insulation Resistance:  $\geq 100m\Omega$  DC500V
- 4.Operating Temperature Range:  $-25^{\circ}C+80^{\circ}C$
- 5.Ambient Humidity Used:  $\leq 85\%RH$
- 6.Operating Force : 50gf Max.
- 7.Life : 100,000 Cycles

⑤	Knob	1	NYLON	Black
④	Cover	1	SUS	Ct
③	Contact Spring	1	PhosphorBronze	Ag Plated
②	Terminal	4	PhosphorBronze	Ag Plated
①	Base	1	LCP	Black
ITEM	PART NAME	QTY.	MATERIAL	FINISHING

APPROVALS		DATE
DRAWN	G.M.Chen	2015/6/10
CHECKED		
APPROVALS		

**DERION 德之隆**  
ELECTRONICS CO.,LTD

TITLE: DETECTOR SWITCHES  
PART NO. HC-V-102

ECN NO.	REV.	DATE.	NEW	DESCRIPTION.	CHANGE.	CHECK.	APPRO.
	A						

TOLERANCES ARE	0.30~0.40	±0.30	ANGLE	UNIT: mm	SCALE: 1:1	SHEET 1 OF 1
	10~30	±0.20				
	5~10	±0.15	±2'	DRAWING NO.		PROJ:
	~ 5	±0.10				